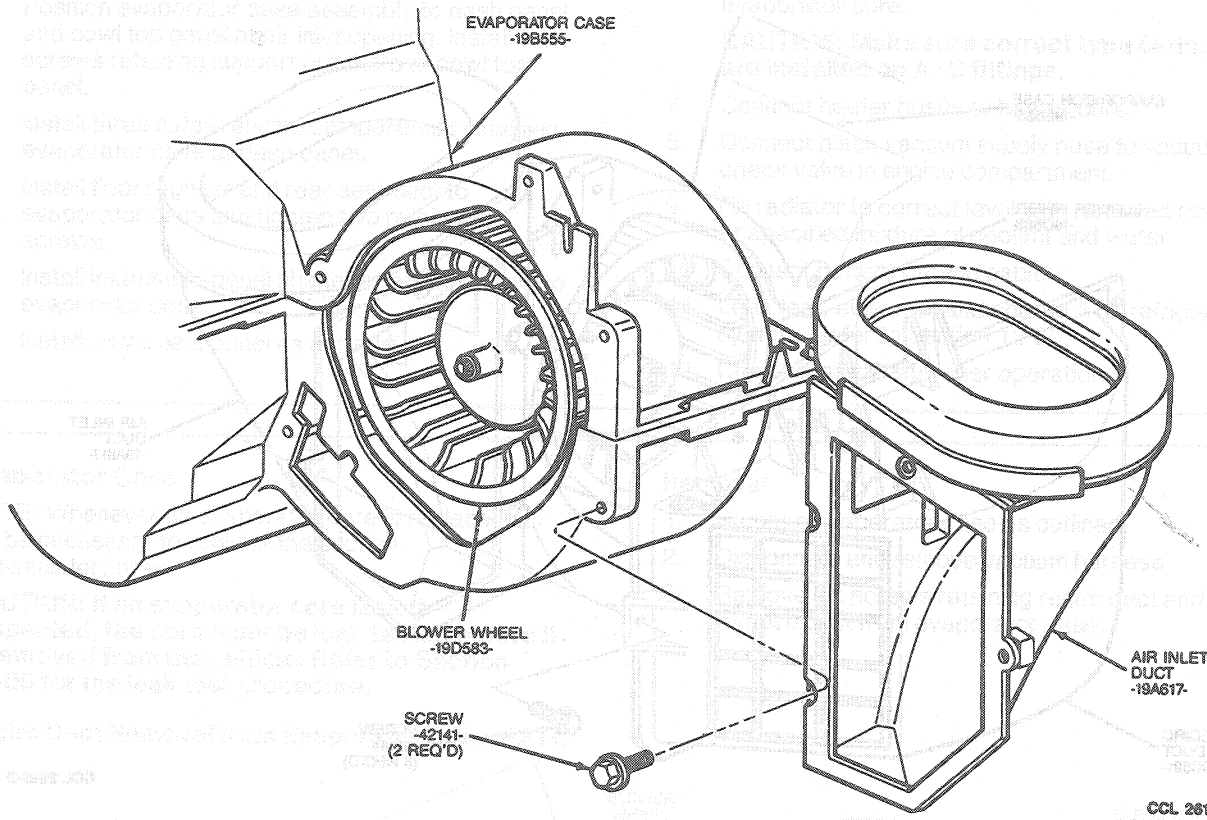


REMOVAL AND INSTALLATION (Continued)

(Continued)

Air Inlet Duct Removal from Evaporator Case

1. Position evaporator case assembly on a clean, flat surface and allow top cover to sit on surface for 10 minutes before proceeding.
2. Switch blower motor to OFF position.
3. Install floor pan to evaporator case and tighten screws.
4. Install evaporator case to blower motor.
5. Install...



CCL 2617-B

5. Remove support bracket from evaporator case (refer to Heater and A/C Evaporator Installation illustration, View A).

6. Remove screws holding electronic connector bracket to recirc duct. Disconnect engine harness 14401 from blower speed control connector. Release three connectors from bracket and remove bracket. Disconnect aspirator hose. (EATC only).