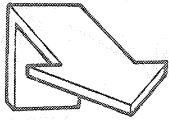


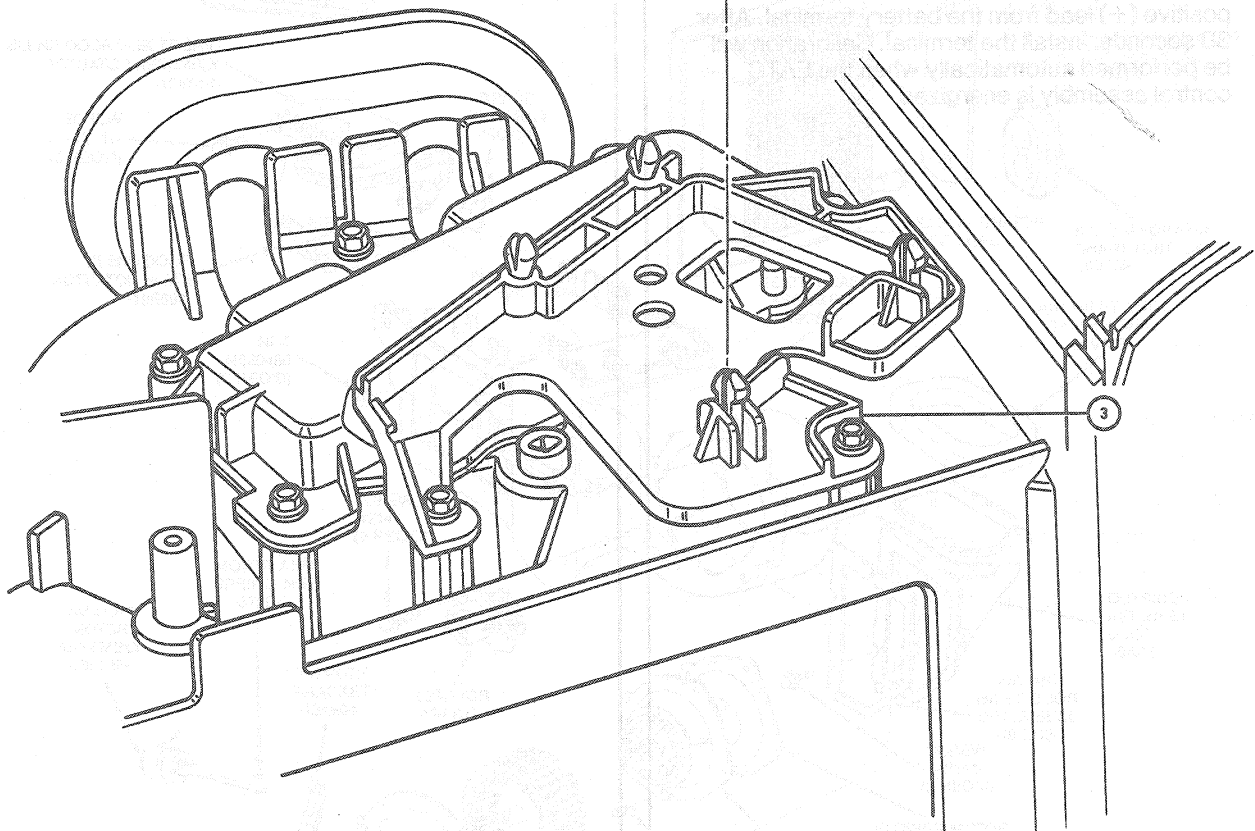
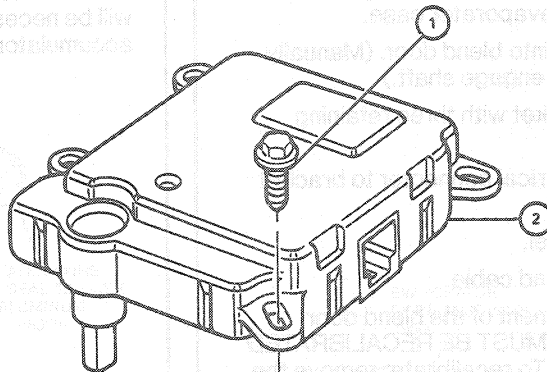
REMOVAL AND INSTALLATION (Continued)

Electric Blend Door Actuator Attachment

NOTE: Whenever an evaporator case is removed, it will be necessary to replace the suction evaporator drain.



TO REMOVE, DISENGAGE ACTUATOR FROM BRACKET. LIFT UPWARD 1/2 INCH, THEN TOWARD PASSENGER COMPARTMENT.



ITEM	DESCRIPTION
1.	SCREW - 42141 (2 REQ'D.)
2.	BLEND DOOR ACTUATOR MOTOR ASSEMBLY - 19E616

ITEM	DESCRIPTION
3.	BLEND DOOR ACTUATOR MOTOR MOUNTING PLATE - 19E693

CCL 2658-E

4. Remove three actuator retaining screws.

5. Lift actuator vertically approximately 12mm (1/2 inch) to disengage it from bracket and blend door shaft, then pull actuator back toward passenger compartment.

NOTE: The mounting bracket remains in place on the evaporator case.