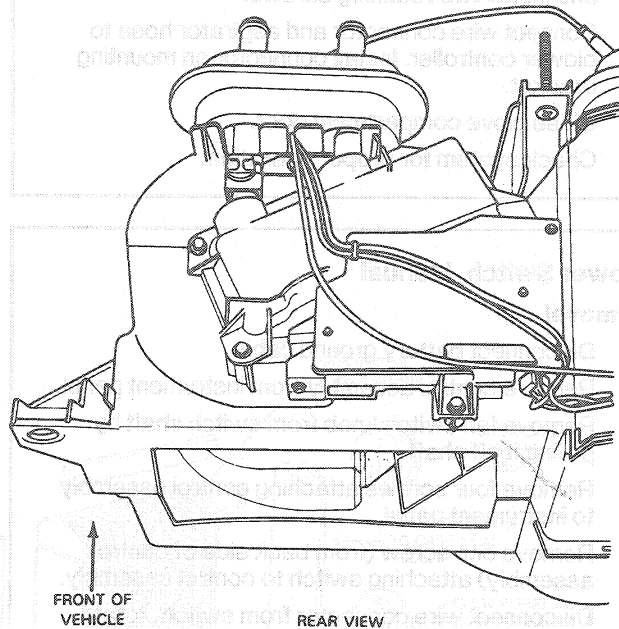
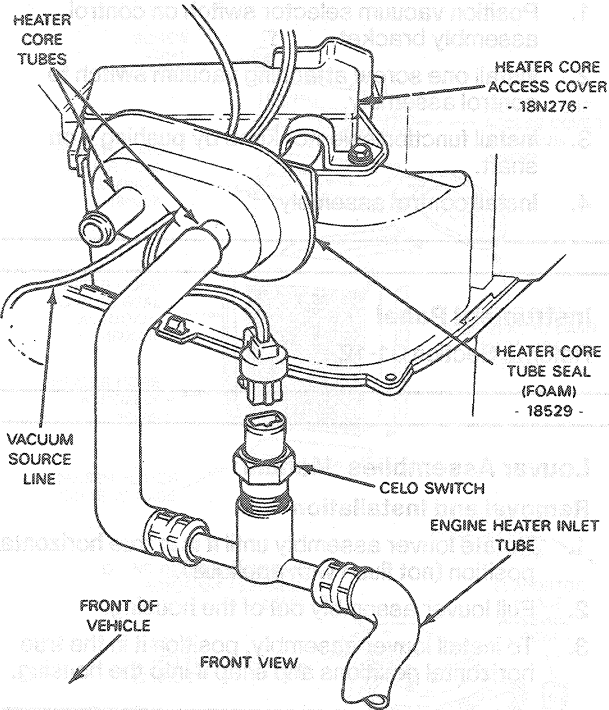


REMOVAL AND INSTALLATION (Continued)

Cold Engine Lock Out Switch Replacement



Blend Door Actuator

Removal

1. Disconnect battery ground cable.
2. Loosen instrument panel and pull back from cowl.

NOTE: Refer to Section 01-12 for instrument panel removal and installation procedure.

3. Remove blend door actuator electrical connector from bracket on evaporator case.