

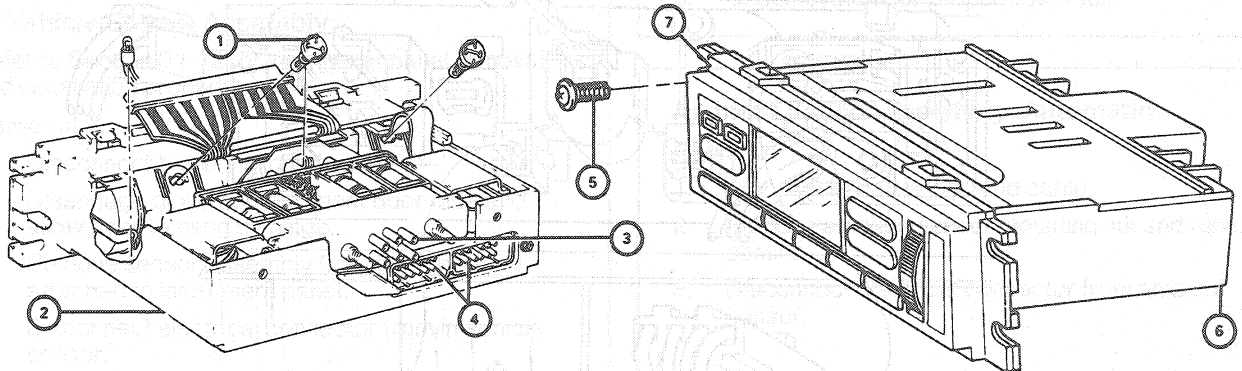
REMOVAL AND INSTALLATION (Continued)

- To install knob, align its keyed surface with mating surface on potentiometer shaft. Press knob forward until its back edge is flush with surface of control assembly bezel.

NOTE: This knob removal and installation procedure applies only to the control assembly blower knob. The buttons on the control assembly are not serviced in detail.

Control Assembly, Automatic**Removal**

- Disconnect battery ground cable.
- Pull out lower LH and lower RH instrument panel snap-on finish panel inserts. Remove eight screws retaining upper finish panel.
NOTE: Refer to Section 01-12 for instrument panel removal and installation procedures.
- Pull lower edge of upper finish panel away from instrument panel. It is best to grasp finish panel from lower LH corner and pull panel away by walking hands around panel in a clockwise direction.

Control Head Attachment

CCL 3115-C

ITEM	DESCRIPTION
1.	GENERAL ILLUMINATION BULB - NO. 2043
2.	AIR TEMPERATURE CONTROL ASSY - 18C612
3.	VACUUM CONTROL VALVE
4.	ELECTRICAL CONNECTIONS

ITEM	DESCRIPTION
5.	SCREW (4 REQ'D.) - N803876
6.	CONTROL ASSY - 18C612
7.	BEZEL

Installation

- Connect two harness connectors to control assembly. Push keyed connectors in until a click is heard.
- Attach vacuum harness to vacuum port assembly. Secure harness by tightening two nuts.
- Position control assembly into instrument panel opening and install four retaining Torx® head screws. Ensure that, as control is positioned, locating posts are correctly aligned with their respective holes.

- Carefully place instrument panel applique into its assembly position. Note that spring clips are aligned with their proper holes. Press applique into place. Ensure that all spring clips are secure.
- Install eight screws retaining upper finish panel. Insert lower LH and lower RH instrument panel snap-on finish panel inserts.
- Connect battery ground cable.