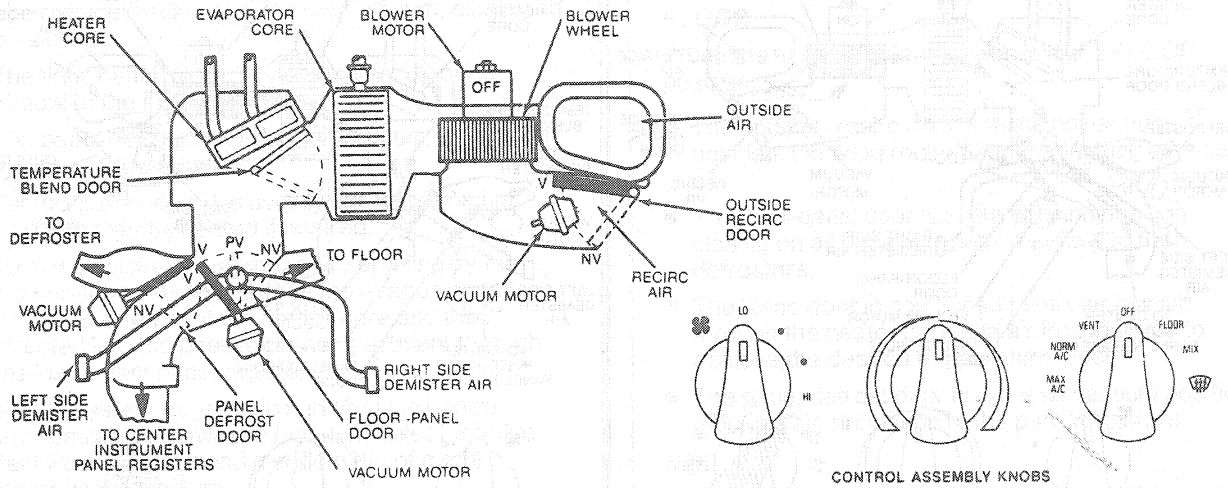


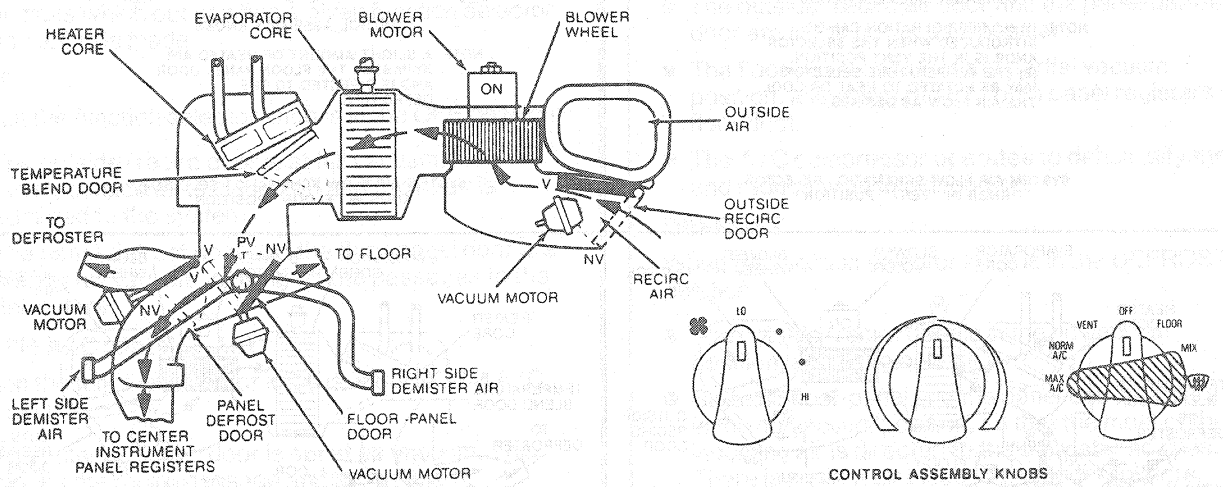
DESCRIPTION AND OPERATION (Continued)

Airflow Chart 1 (OFF, MAX A/C, NORM A/C)

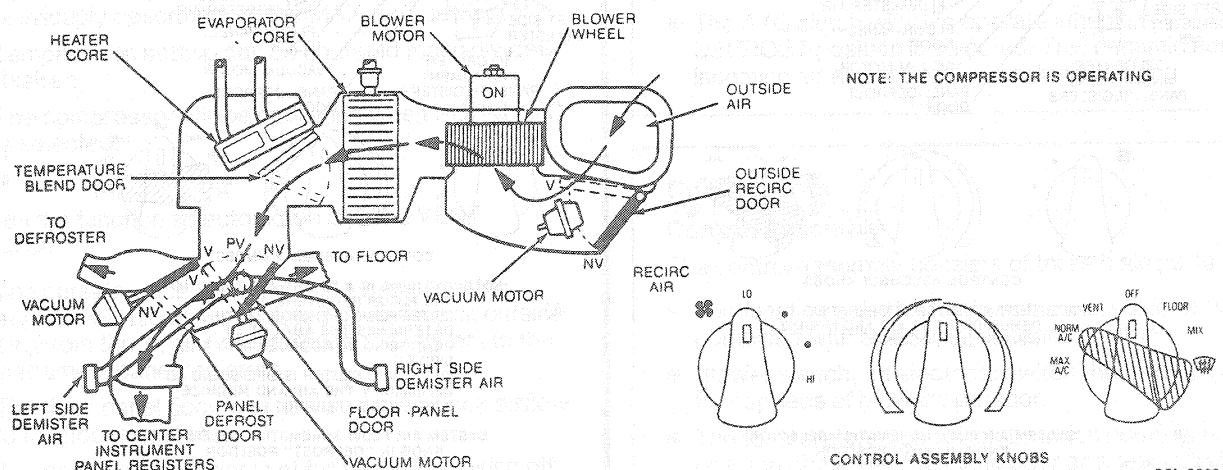
SYSTEM AIR FLOW SCHEMATIC - SELECTOR KNOB IN "OFF" POSITION



SYSTEM AIR FLOW SCHEMATIC - SELECTOR KNOB IN "MAX A/C" POSITION



SYSTEM AIR FLOW SCHEMATIC - SELECTOR KNOB IN "NORMAL A/C" POSITION



CCL 2609-F