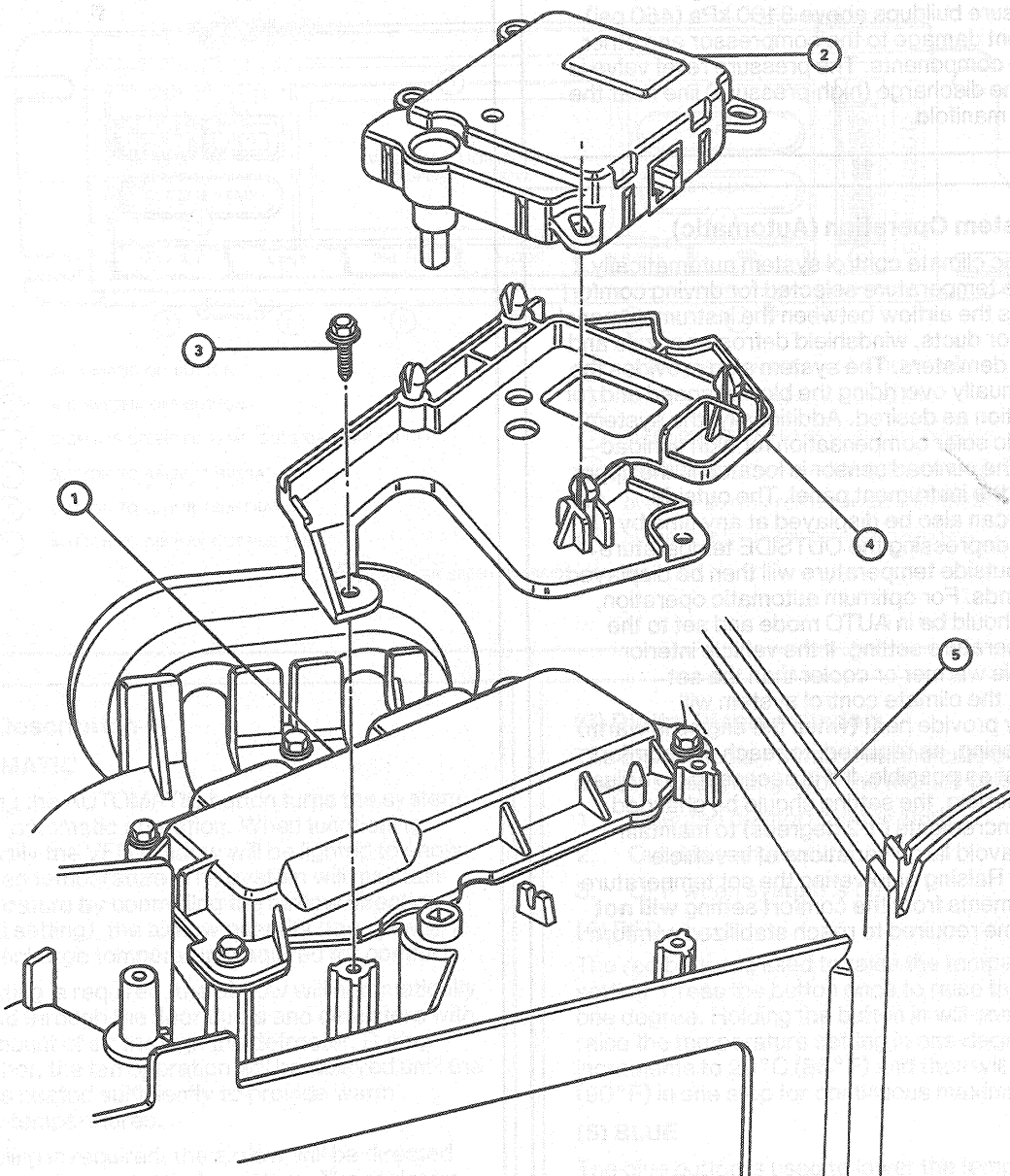


DESCRIPTION AND OPERATION (Continued)

Blend Door Electric Actuator and Mounting Assembly



- | ITEM | DESCRIPTION |
|------|-----------------------------|
| 1. | HEATER CORE ACCESS COVER |
| 2. | ACTUATOR ASSEMBLY - 19E616 |
| 3. | SCREW - 42141-S2 (3 REQ'D.) |

- | ITEM | DESCRIPTION |
|------|----------------------------------|
| 4. | ACTUATOR MOUNTING PLATE - 19E693 |
| 5. | EVAPORATOR CASE |

CCL 2646-E