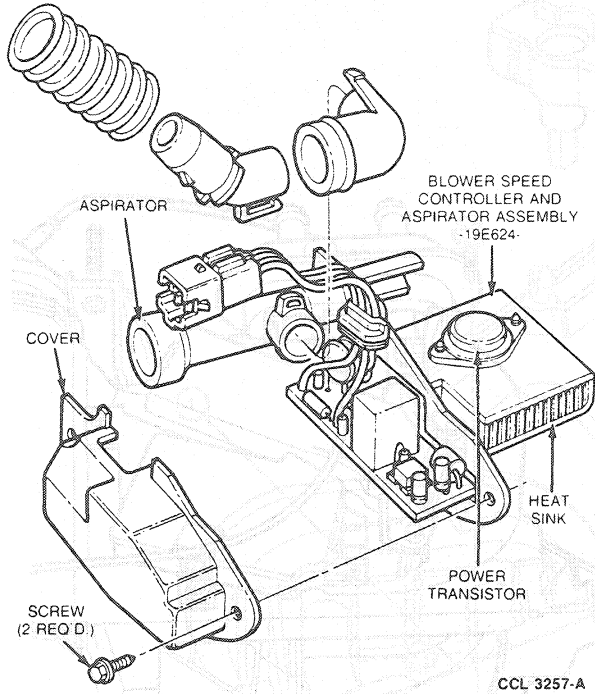


DESCRIPTION AND OPERATION (Continued)

Blower Speed Controller

The blower speed controller is located in the evaporator case, upstream of the evaporator core.

Blower Speed Control and Aspirator Assembly



The function of the blower speed controller is to convert low power signals from the EATC control assembly to a high current, variable ground feed for the blower motor. Blower motor speed is infinitely variable and is controlled by the electronic control assembly software and blend door actuator position. A delay function provides a gradual increase or decrease in blower motor speed under all conditions. There is a high blower relay integrated into the blower speed controller which provides power for maximum air flow in the HI blower position.

CAUTION: The system should not be operated with the blower motor disconnected. Damage may occur to the electronic blower speed controller if cooling air is not provided by the blower motor.