

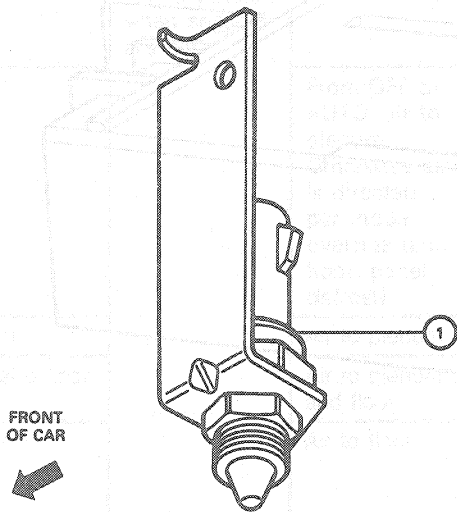
DESCRIPTION AND OPERATION (Continued)

An illumination bulb in the control assembly provides backlighting for the vacuum fluorescent display window. When the rheostat on the headlamp/parking lamp switch is rotated, the intensity of the light from this bulb will increase or decrease depending upon the direction of rotation. (The backlighting on the control assembly, as well as in other instrument panel locations, will dim whenever the light switch is engaged.)

Input Sensors

- **Ambient Temperature Sensor:** located in front of the condenser on the LH side of the vehicle and contains a thermistor which measures the temperature of the outside air.

Ambient Temperature Sensor

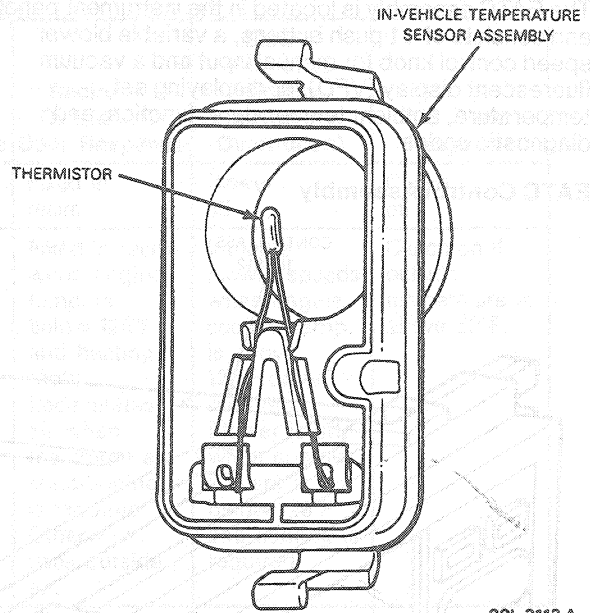


ITEM DESCRIPTION
1. AMBIENT TEMPERATURE SENSOR - 19E702

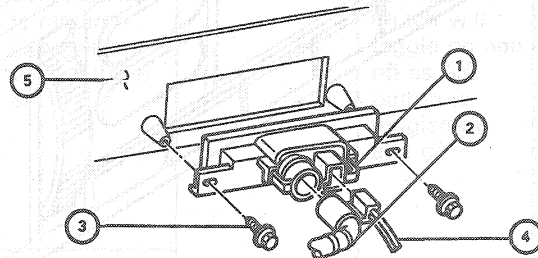
CCL 2640-C

- **In-Vehicle Temperature Sensor:** located behind the instrument panel above the glove compartment, contains a thermistor which measures the temperature of the air inside the passenger compartment.

In-Vehicle Temperature Sensor—Taurus



In-Vehicle Temperature Sensor—Sable



ITEM DESCRIPTION
1. A/C TEMPERATURE CONTROL SENSOR ASSEMBLY - 19C933
2. A/C TEMPERATURE CONTROL HOSE ASSEMBLY - 19D888
3. SCREW - N803876-S36 (2 REQ'D)
4. WIRING ASSEMBLY - 14401
5. INSTRUMENT PANEL ASSEMBLY

CCL 3553-B

- **Sunload Sensor:** located in the RH upper outer finish panel. The sunload sensor contains a photovoltaic (sensitive to sunlight) diode.

Sunload Sensor

