

REMOVAL AND INSTALLATION (Continued)

3. Depress retaining tabs and disconnect vacuum motor arm from door shaft.
4. Remove two screws retaining vacuum motor to mounting bracket.
5. Remove vacuum motor from mounting bracket and disconnect vacuum hose.

Installation

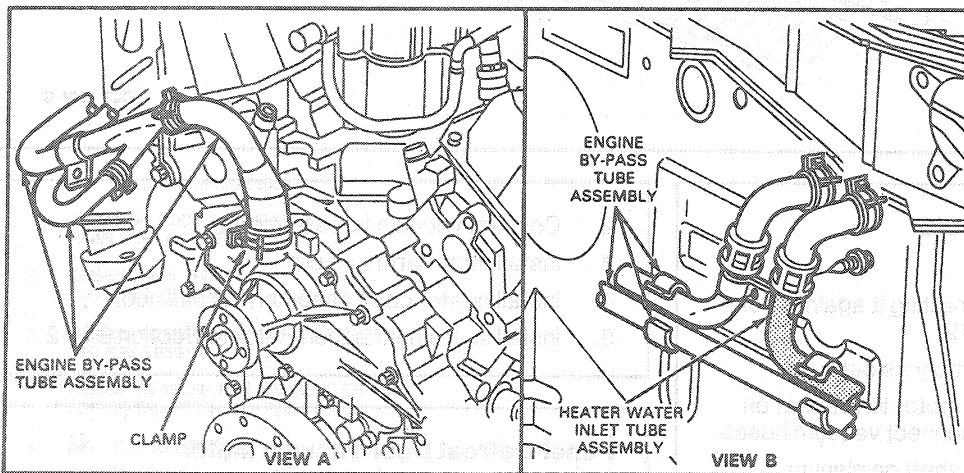
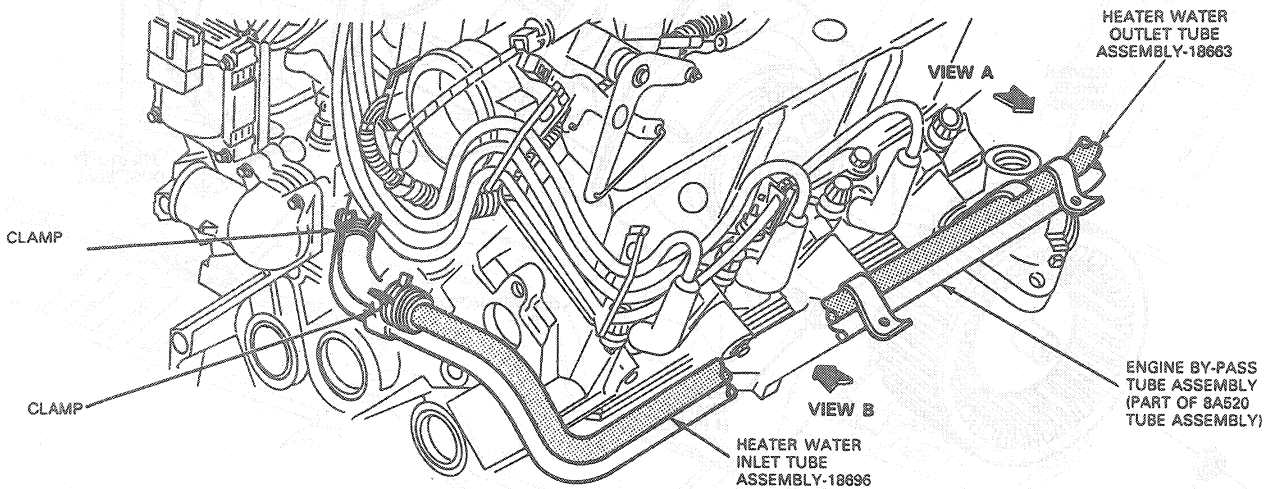
1. Position vacuum motor to mounting bracket and door shaft.
2. Install two screws attaching panel-defrost vacuum motor to mounting bracket.
3. Connect vacuum hose to defrost vacuum motor.
4. Install instrument panel.
5. Connect battery ground cable.

Heater Hoses

CAUTION: Ensure replacement heater hose is made of EPDM and Nomex materials. Hoses made of other materials may not be suitable for this application.

Refer to the following illustrations for heater hose installation.

Heater Hose Installation, 3.0L with Manual A/C-Heater



CCL 2772-D