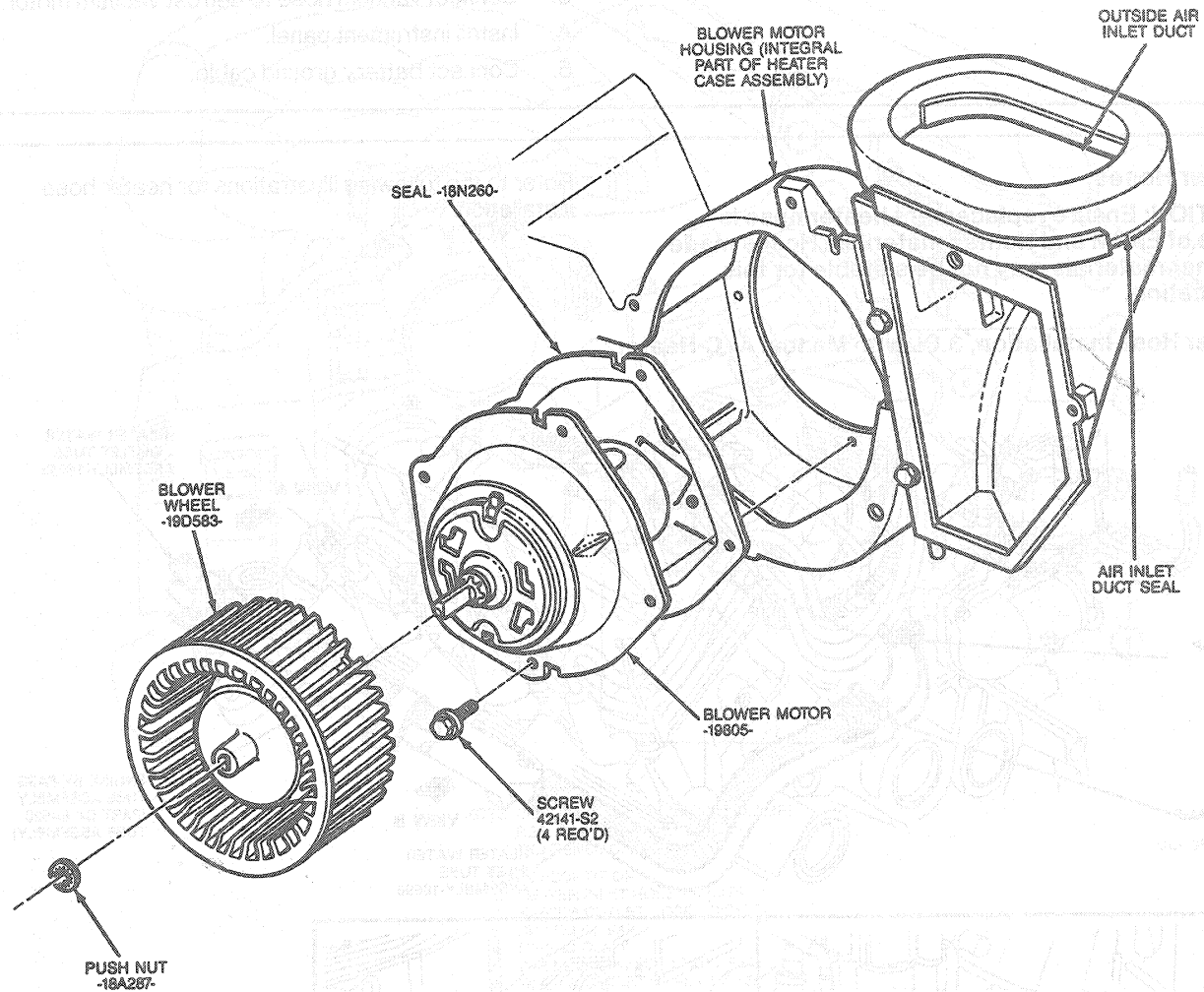


REMOVAL AND INSTALLATION (Continued)

Air Inlet Duct and Blower Housing Assembly—Disassembled View

The following illustration shows the components of the air inlet duct and blower housing assembly.

Air Inlet Duct and Blower Housing Assembly—Disassembled View

CCL 2804-C

Floor-Panel Door Vacuum Motor**Removal**

1. Remove instrument panel, resting it against front seat. Refer to Section 01-12.
2. Remove heater case assembly as outlined.
3. Remove two nuts retaining motor to bracket on RH side of plenum and disconnect vacuum hoses.
4. Disconnect arm from pivot shaft on plenum.
5. Remove motor.

Installation

1. Position motor to bracket and secure with two nuts.

2. Connect vacuum hose to motor.
3. Install motor arm and clip.
4. Install heater case assembly as outlined.
5. Install instrument panel. Refer to Section 01-12.

Panel-Defrost Door Vacuum Motor**Removal**

1. Disconnect battery ground cable.
2. Remove instrument panel. Refer to Section 01-12.