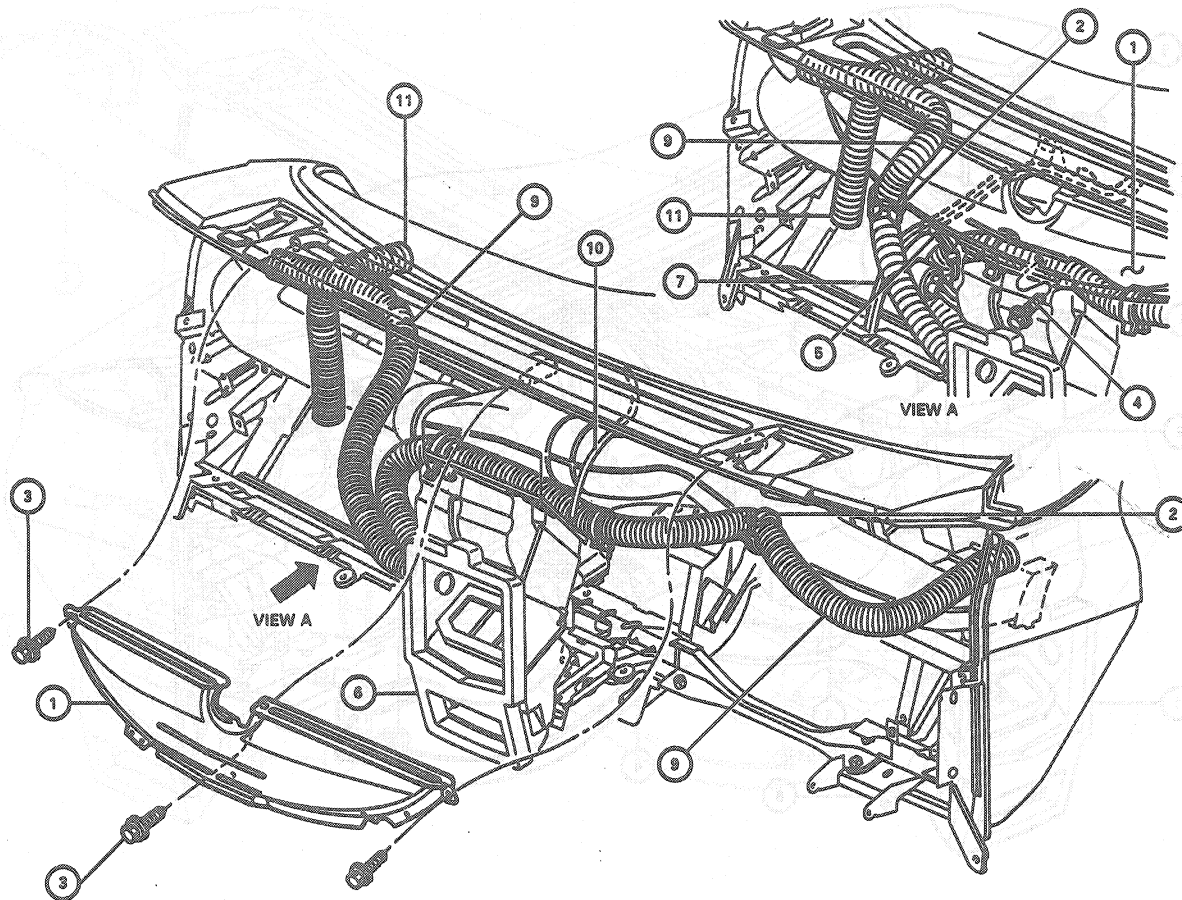


REMOVAL AND INSTALLATION (Continued)

Defroster Nozzle and Demister Hoses



ITEM	DESCRIPTION
1.	NOZZLE ASSY - 19D733
2.	CLIP - 19B632 (4 REQ'D)
3.	SCREW - N803875-S36 (3 REQ'D)
4.	SCREW - 361801-S2 OR N803818-S55
5.	STRAP - 95874-S
6.	PLENUM CHAMBER

ITEM	DESCRIPTION
7.	VACUUM HARNESS P.I.A. CONTROL ASSY
8.	TAB PART OF CENTER DUCT
9.	DEMISTER & HOSE ASSY P.I.A. INSTRUMENT PANEL
10.	CABLE ASSY - 19D874
11.	TEMP CONTROL HOSE - 19D888

CCL 3710-A

Demisters and Demister Hoses

Removal and Installation

Refer to Defroster Nozzle and Demister Hoses illustration.

1. Remove instrument panel, resting it against front seat. Refer to Section 01-12.
2. Disconnect vacuum hose connector from vacuum harness where it is clipped to defroster nozzle.
3. Loosen two retaining screws to lower A/C plenum chamber from instrument panel.
4. Remove screw retaining defroster nozzle to plenum.

5. Remove three screws retaining defroster nozzle to instrument panel.
6. Disconnect LH demister hose from LH duct clip, two clips on center duct and RH side of plenum. Disconnect RH hose from clip on defroster nozzle and RH side of plenum chamber. Remove each hose from demister by rotating clockwise to remove the barb on demister.
7. Remove two screws holding demister assembly to instrument panel and from front side of instrument panel.
8. To install, reverse Removal procedure.