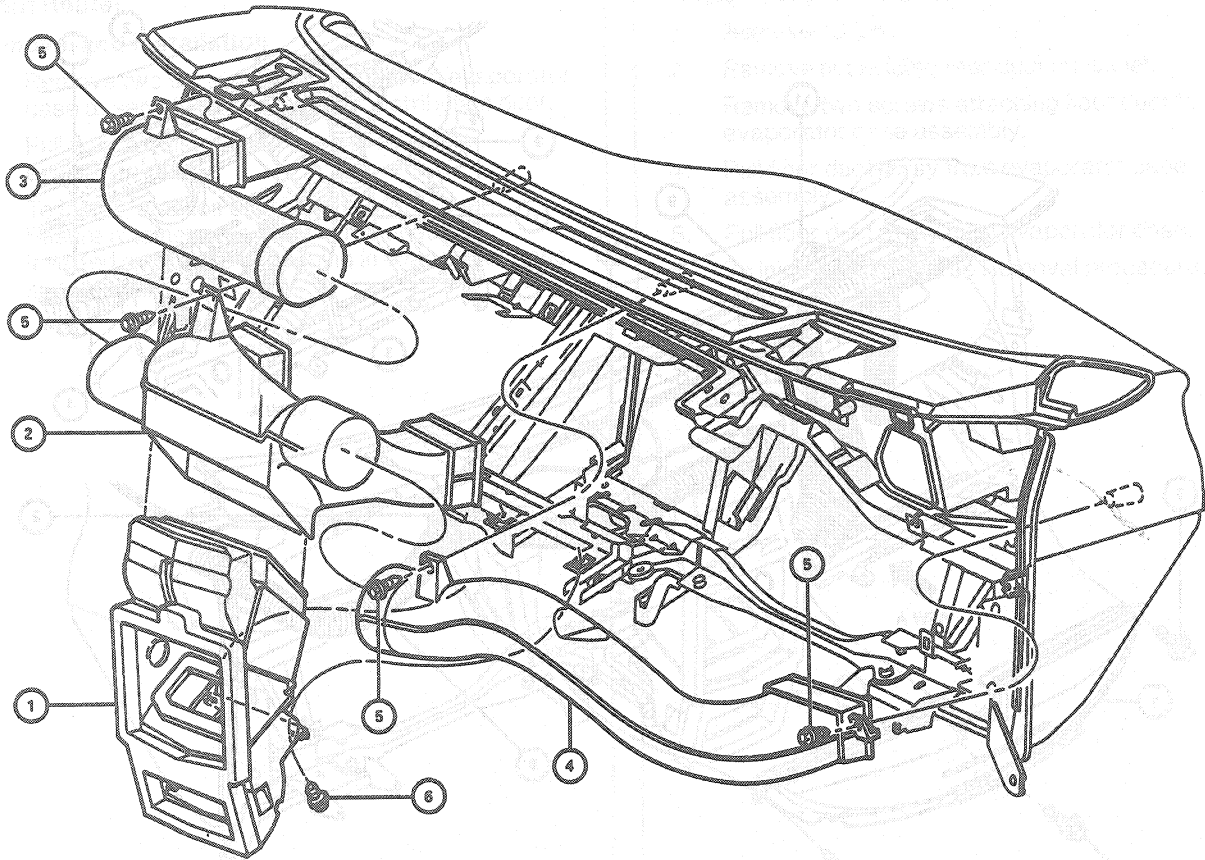


## REMOVAL AND INSTALLATION (Continued)

## Plenum Chamber and Duct Assembly—Sable



## ITEM DESCRIPTION

1. PLENUM ASSY - 19740
2. LH CENTER IP REGISTER DUCT ASSY - 19C805
3. RH IP REGISTER DUCT ASSY - 19B690

## ITEM DESCRIPTION

4. LH IP REGISTER DUCT ASSY - 19A843
5. SCREW - N803875-S36 (4 REQ'D)
6. SCREW - N803876-S36B (2 REQ'D)

CCL 3709-A

## Defroster Nozzle

## Removal and Installation

1. Remove instrument panel. Refer to Section 01-12.
2. Disconnect vacuum hose from retaining tab on defroster assembly.
3. Lower plenum chamber by loosening the two screws retaining it to instrument panel and screw retaining it to plenum.

4. Remove screw retaining defroster nozzle to plenum.
5. Remove three screws retaining defroster nozzle to instrument panel.
6. Disconnect LH demister hose from defroster nozzle and both RH hoses from plenum.
7. To install, reverse Removal procedure.