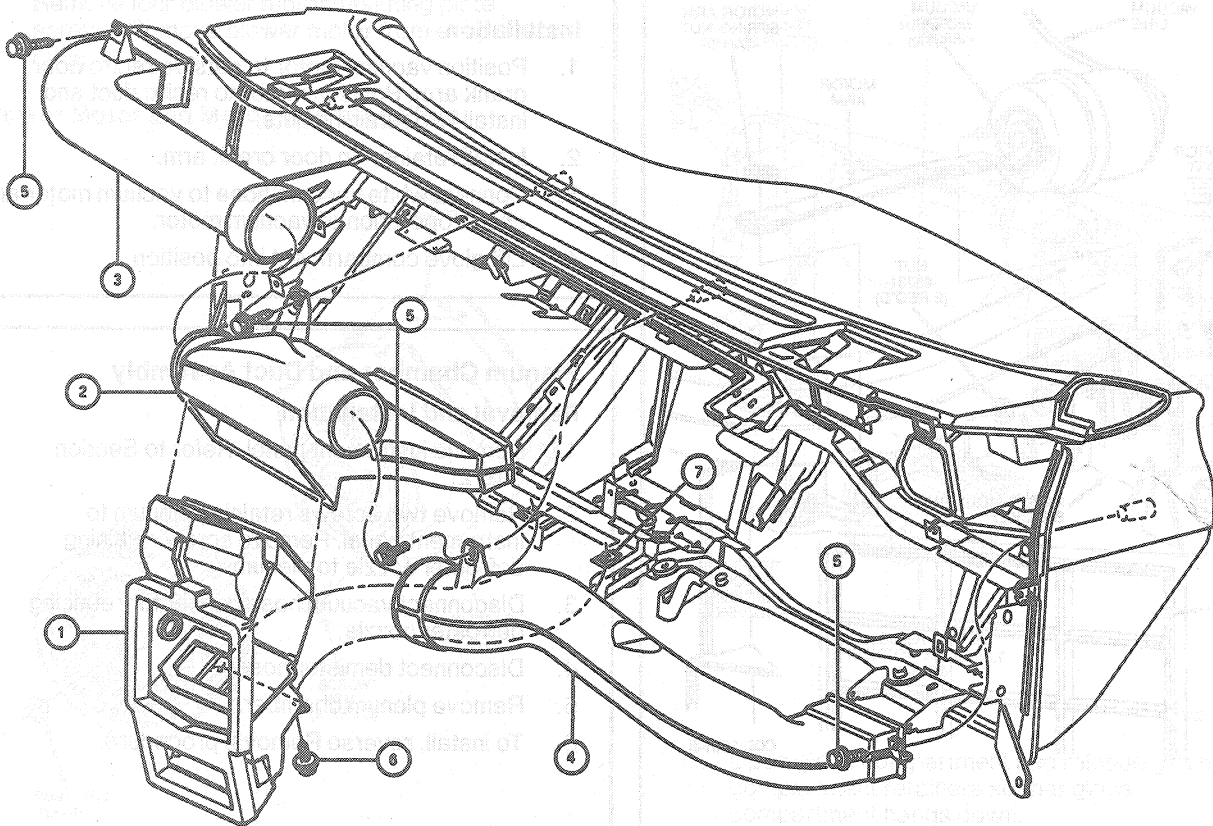


REMOVAL AND INSTALLATION (Continued)

REMOVAL AND INSTALLATION (Continued)

Plenum Chamber — Taurus



ITEM DESCRIPTION

- 1. A/C PLENUM ASSY - 19740
- 2. A/C I/P CENTER LH REGISTER DUCT ASSY - 19C805
- 3. A/C I/P RH REGISTER DUCT ASSY - 19B680
- 4. A/C I/P LH REGISTER DUCT ASSY - 19A843

ITEM DESCRIPTION

- 5. SCREW - N803875-S36 (4 REQ'D)
- 6. SCREW - N803876-S36B (2 REQ'D)
- 7. SPRING NUT P.I.A. INSTRUMENT PANEL

CCL 3708-A