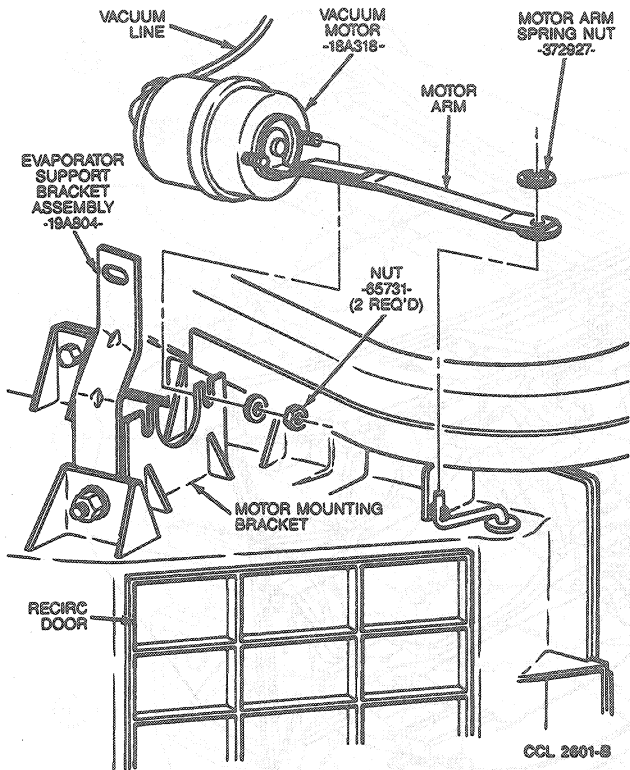


**REMOVAL AND INSTALLATION (Continued)**

**Motor Arm Retainer and Screw Removal**



4. Remove two nuts retaining vacuum motor to recirc duct and remove motor.

**Installation**

1. Position vacuum motor to outside-recirc door crank arm. Position motor to recirc duct and install two retaining nuts.
2. Install retainer on door crank arm.
3. Connect white vacuum hose to vacuum motor and check operation of vacuum motor.
4. Lift glove compartment into position.

**Plenum Chamber and Duct Assembly**

**Removal and Installation**

1. Remove instrument panel. Refer to Section 01-12.
2. Remove two screws retaining plenum to instrument panel. Remove screw retaining defroster nozzle to plenum.
3. Disconnect vacuum hose connector retaining defroster nozzle.
4. Disconnect demister hoses.
5. Remove plenum chamber.
6. To install, reverse Removal procedure.