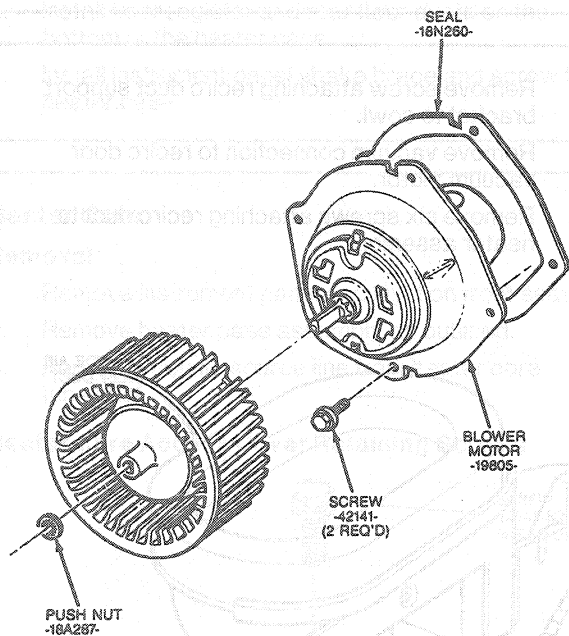


## REMOVAL AND INSTALLATION (Continued)

3. Remove blower wheel pushnut and blower wheel.
4. Remove four blower motor mounting plate screws. Remove blower motor from evaporator case.

## Blower Motor and Motor Mounting Plate



CCL 2589-C

## Installation

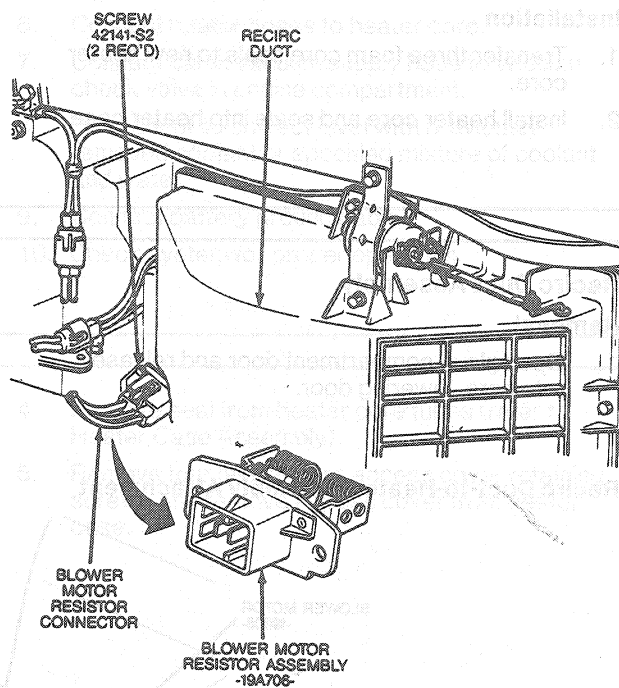
1. Assemble blower motor electrical lead through evaporator case.
2. Position blower motor into evaporator. Install four retaining screws.
3. Assemble blower wheel to blower motor shaft aligning the flat on the shaft with the flat on the inside diameter of the blower wheel hub. Slide the blower wheel onto the blower motor shaft until the wheel is fully seated.
4. Install a new pushnut on the blower motor shaft to retain the wheel.
5. Connect wiring harness to blower motor.
6. Install recirc duct assembly in vehicle.

## Blower Motor Resistor

## Removal and Installation

The blower motor resistor and thermal limiter assembly is installed on the passenger side of the heater case behind the glove compartment. Use only the specified resistor assembly for service replacement. Do not apply sealer to the resistor board mounting surface.

## Blower Motor Resistor



CCL 2600-B

1. Open glove compartment and release glove compartment retainers so that glove compartment hangs down.
2. Disconnect wire harness connector from resistor assembly.
3. Remove two resistor retaining screws and remove resistor from heater case.
4. To install, position resistor assembly in heater case opening and install two retaining screws. Do not apply sealer to resistor assembly mounting surface.
5. Connect wire harness connector to resistor.
6. Check operation of blower motor.
7. Close glove compartment.

## Outside-Recirc Door Vacuum Motor

## Removal

1. Lower glove compartment door to provide access to recirc duct assembly.
2. Disconnect vacuum hose from end of vacuum motor.
3. Remove motor arm retainer from door crank arm.