

**SPECIFICATIONS**

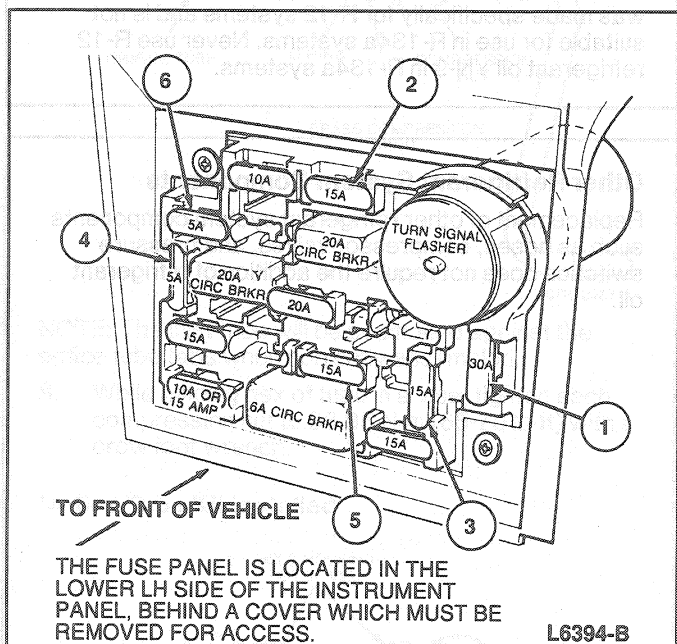
**REFRIGERANT SYSTEM COMPONENTS AND CAPACITIES**

Vehicle <sup>2</sup>	Compressor	Clutch Cycling Pressure Switch <sup>3</sup>	Fixed Orifice Tube	Refrigerant Capacity <sup>1</sup>	
				(oz.)	(kg)
3.0L EFI	FX-15	X	X	40 ± 1	1.13 ± 0.028
3.8L	FX-15	X	X	40 ± 1	1.13 ± 0.028
3.0L SHO	10P15F	X	X	40 ± 1	1.13 ± 0.028

- 1 Plus (2 oz) (.057 kg) minus (2 oz) (.057 kg)
- 2 All models equipped with Suction Accumulator / Drier.
- 3 Pressure switch opens at 169 kPa (24.5 psi)

**SPECIAL SERVICE TOOLS**

Tool Number	Motorcraft Part Number	Description
T71P-19703-S and R	—	Fitting Adapters (R-12 System, Low Pressure)
D81L-19703-A	YT-367	Service Access Adapter (R-12 System, High Pressure)
T81P-19623-G1	—	Spring-Lock Coupling Disconnect Tool—3/8 inch
T81P-19623-G2	—	Spring-Lock Coupling Disconnect Tool—1/2 inch
T83P-19623-C	—	Spring-Lock Coupling Disconnect Tool—5/8 inch
T85L-19623-A	—	Spring-Lock Coupling Disconnect Tool—3/4 inch
D87P-19703-A	—	Tee Adapter Tool (R-12 System)
D88P-19703-B	—	Leak Test Adapter Kit (Evaporator / Condenser)



**SPRING LOCK COUPLING COMPONENTS**

<b>O-Ring</b>	3/8 inch—391302-S100 1/2 inch—391303-S100 5/8 inch—391304-S100 3/4 inch—391305-S100
<b>Garter Springs</b>	3/8 inch—E1ZZ-19E576-A (YF-990) 1/2 inch—E1ZZ-19E576-A (YF-991) 5/8 inch—E35Y-19E576-A (YF-1134) 3/4 inch—E69Z-19E576-A
<b>Service Kits</b>	
E35Y-19D690-D	Contains 391302, 391303, 391304, 391305 O-Rings. E1ZZ-19E576-A & B and E35Y-19E576-A Springs

**TORQUE SPECIFICATIONS**

Description	N·m	Lb·Ft
Orifice Tube Housing Compression Nut	88-95	65-70
Heater Hose Clamps	1.81-2.49	17-22 (Lb-In)

**ROTUNDA EQUIPMENT**

Model	Description
021-00012	Radiator/Heater Core Pressure Tester
023-00007	Dial Thermometer
055-00014 or 055-00015	Electronic Leak Detector
063-00003	Safety Shield Goggles
063-00010	Air Conditioning Service Kit
078-00800	A/C Reclaim System
112-00021	Ultraviolet Lamp
112-00027	Fluoro-Lite
112-00028	A/C Tracer Dye Injector