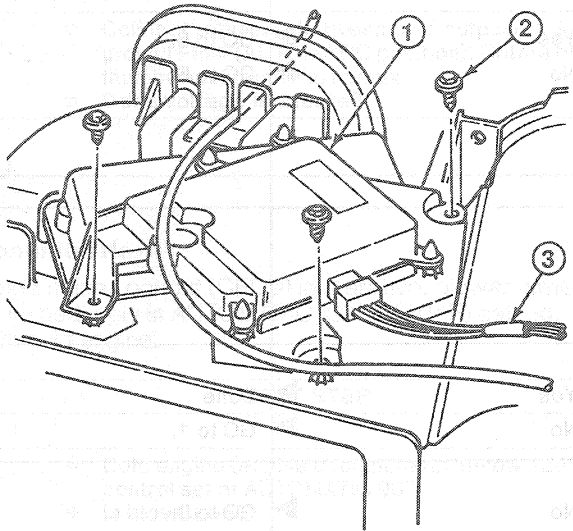


DIAGNOSIS AND TESTING (Continued)

(Continued)

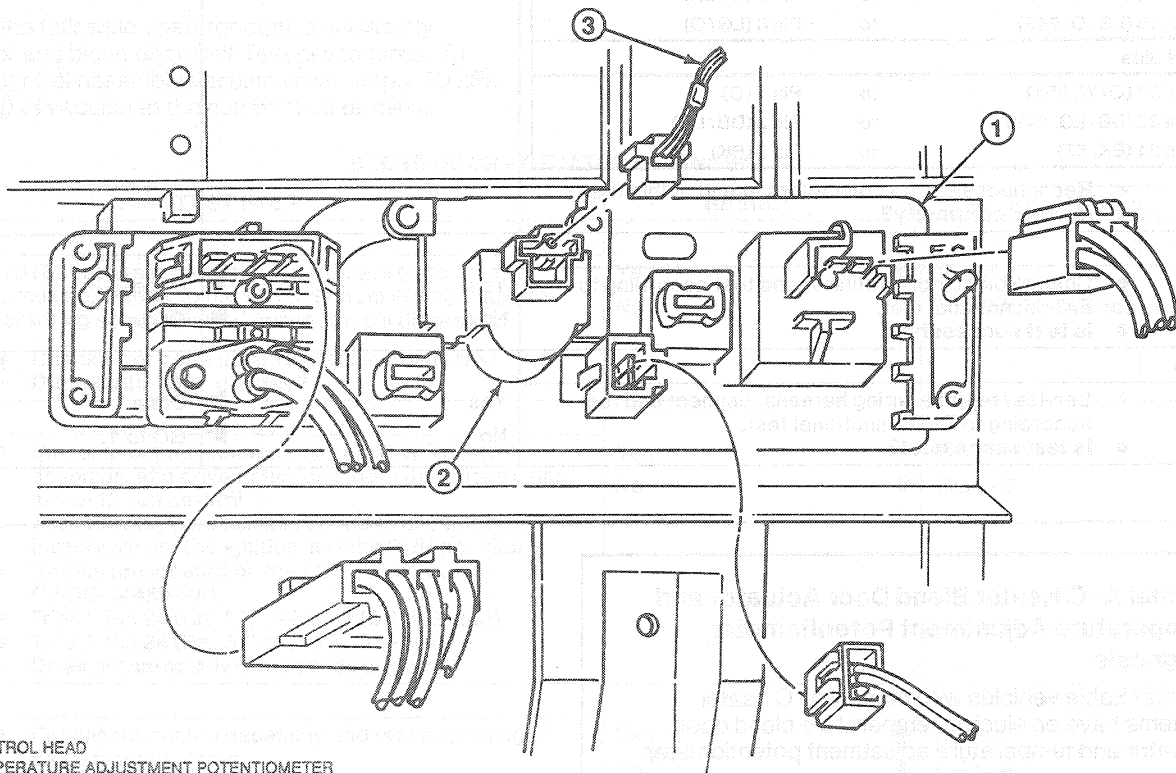
Electric Blend Door Actuator



- 1. BLEND DOOR ACTUATOR
- 2. ACTUATOR TO EVAPORATOR CASE MOUNTING SCREWS
- 3. JUMPER HARNESS FROM 14401 WIRING

CCL 3732-A

Temperature Adjustment Potentiometer



- 1. CONTROL HEAD
- 2. TEMPERATURE ADJUSTMENT POTENTIOMETER
- 3. FROM 14401 WIRING HARNESS

CCL 3733-A