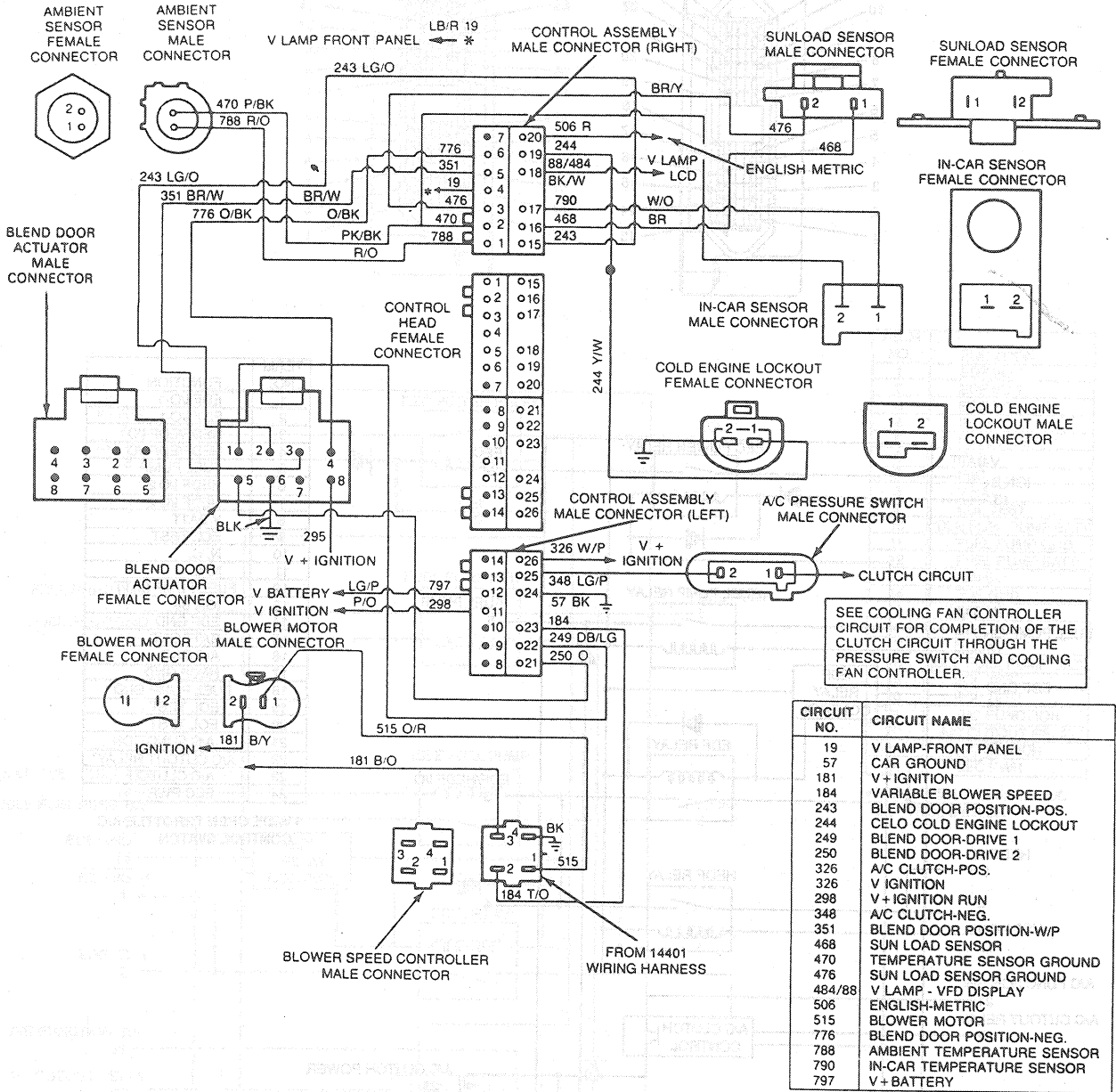


DIAGNOSIS AND TESTING (Continued)

EATC System Wiring Diagram



CIRCUIT NO.	CIRCUIT NAME
19	V LAMP-FRONT PANEL
57	CAR GROUND
181	V + IGNITION
184	VARIABLE BLOWER SPEED
243	BLEND DOOR POSITION-POS.
244	CELO COLD ENGINE LOCKOUT
249	BLEND DOOR-DRIVE 1
250	BLEND DOOR-DRIVE 2
326	A/C CLUTCH-POS.
326	V IGNITION
298	V + IGNITION RUN
348	A/C CLUTCH-NEG.
351	BLEND DOOR POSITION-W/P
468	SUN LOAD SENSOR
470	TEMPERATURE SENSOR GROUND
476	SUN LOAD SENSOR GROUND
484/88	V LAMP - VFD DISPLAY
506	ENGLISH-METRIC
515	BLOWER MOTOR
776	BLEND DOOR POSITION-NEG.
788	AMBIENT TEMPERATURE SENSOR
790	IN-CAR TEMPERATURE SENSOR
797	V + BATTERY

NOTE: REFER TO THE EVTM PUBLICATION FOR COMPLETE CIRCUIT SCHEMATIC AND WIRE COLORS.

CCL 3771-A