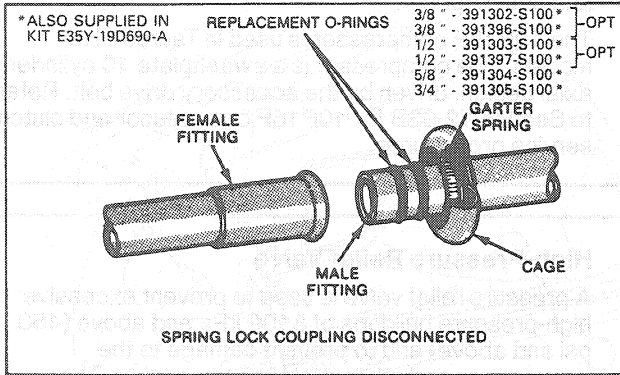
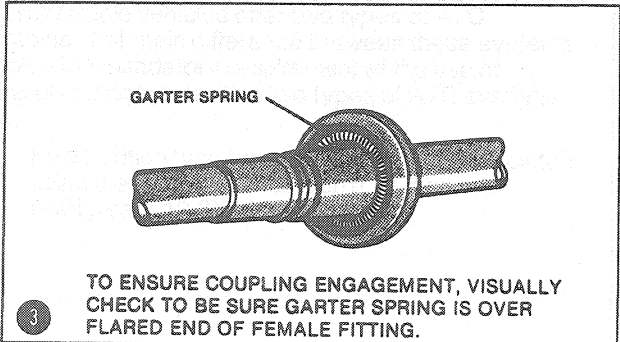
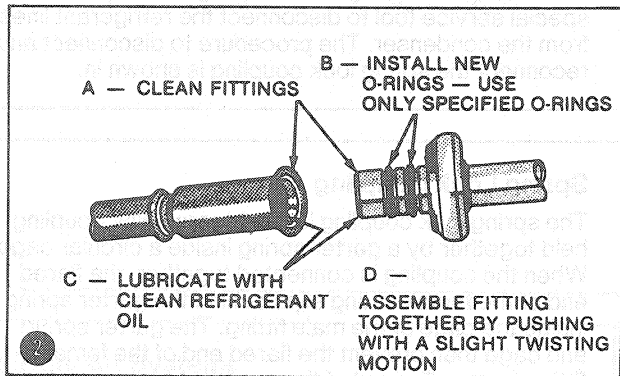
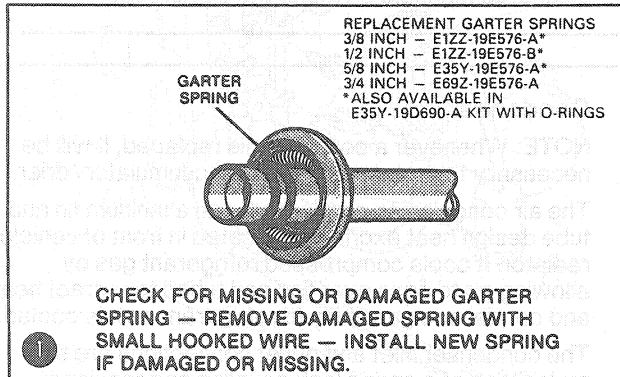


DESCRIPTION AND OPERATION (Continued)

Spring Lock Coupling

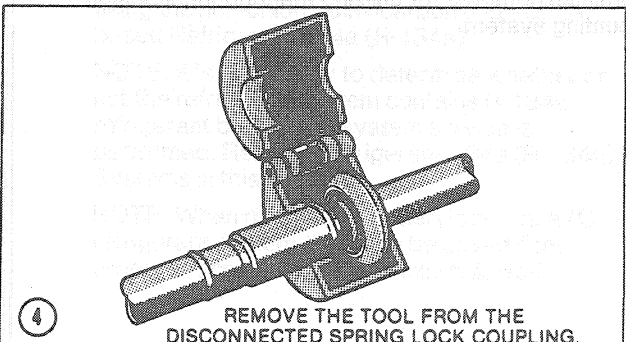
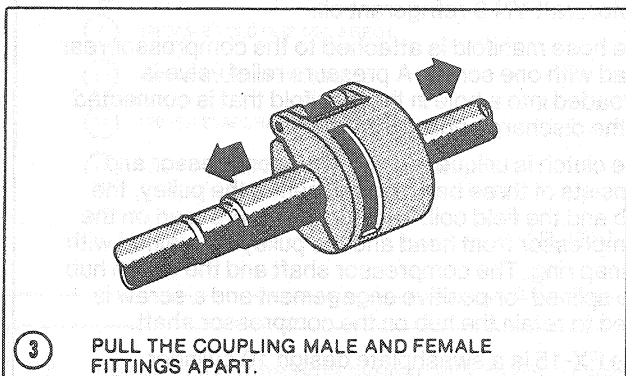
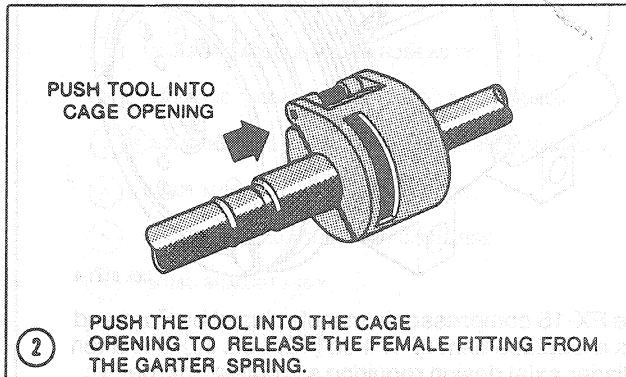
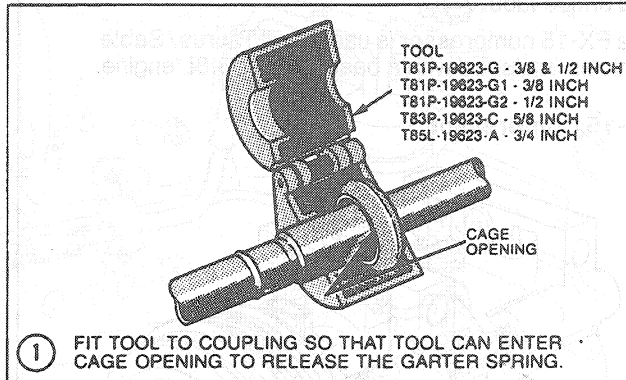


TO CONNECT COUPLING



TO DISCONNECT COUPLING

CAUTION — DISCHARGE SYSTEM BEFORE DISCONNECTING COUPLING



CCL 4011-C