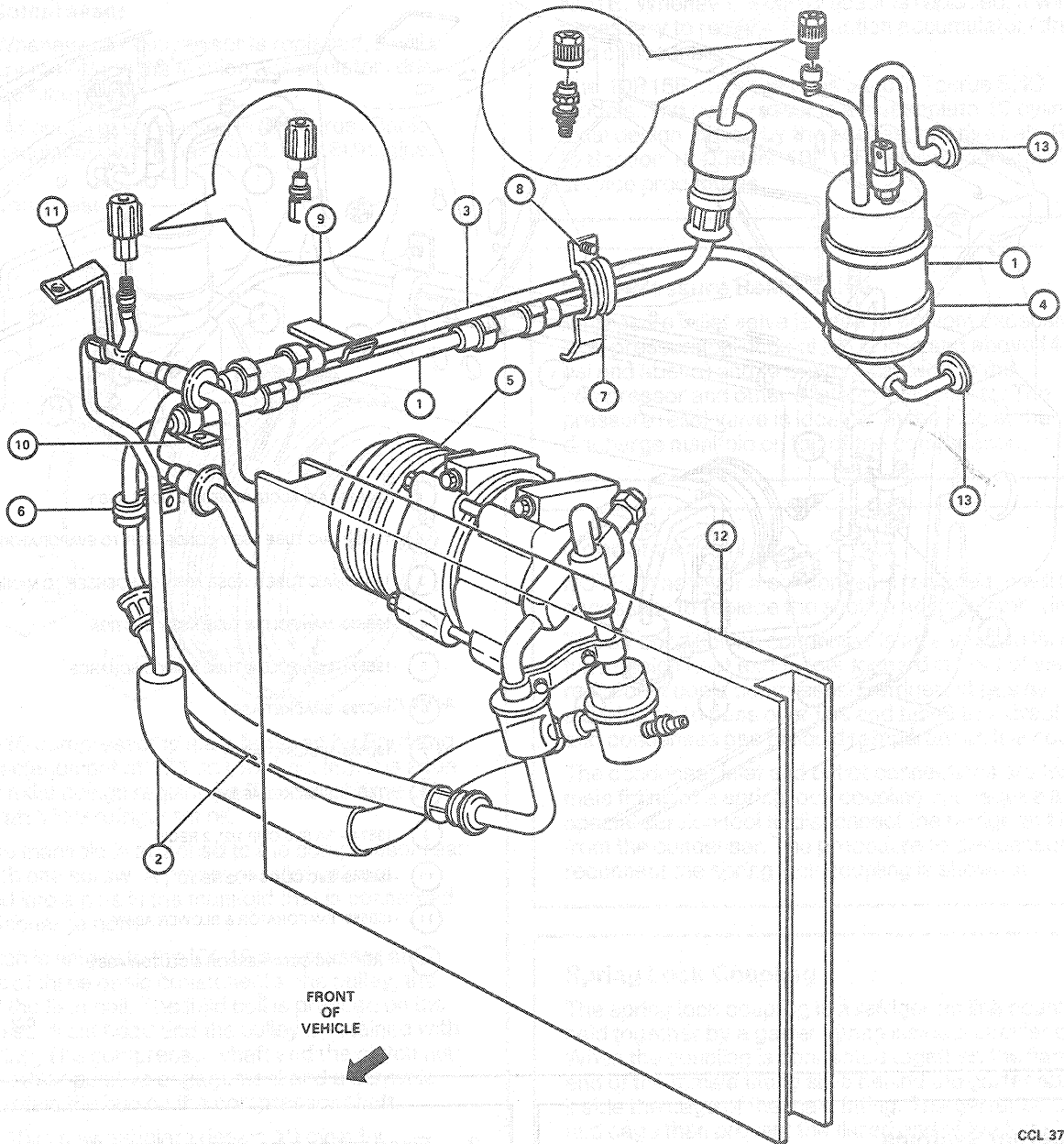


DESCRIPTION AND OPERATION (Continued)

A/C Refrigerating System



CCL 3707-A

- ITEM DESCRIPTION**
- 1. ACCUMULATOR & HOSE ASSY - 19C913
  - 2. MANIFOLD & TUBE ASSY - 19D734
  - 3. CONDENSER TO EVAPORATOR TUBE ASSY - 19N651
  - 4. BRACKET ASSY - 19D606
  - 5. COMPRESSOR & CLUTCH ASSY - 19D629
  - 6. CLIP - N805191-S100
  - 7. CLIP - N806439-S100

- ITEM DESCRIPTION**
- 8. SCREW & RETAINER ASSY - N800358-S2
  - 9. CLIP - N805732-S
  - 10. CLIP - N804200-S100
  - 11. INLET TUBE BRACKET - 19D720
  - 12. CONDENSER TO EVAPORATOR
  - 13.

NOTE: When diagnosing or servicing the A/C refrigerating system, first consult the proper procedure and carefully follow the instructions in this section.