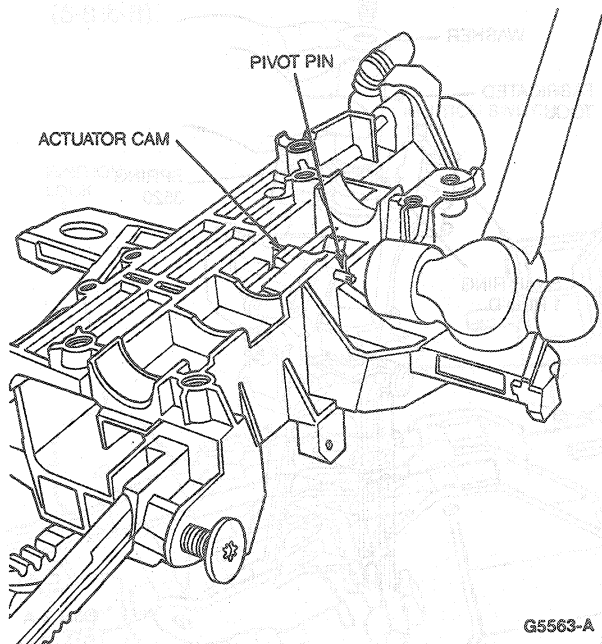
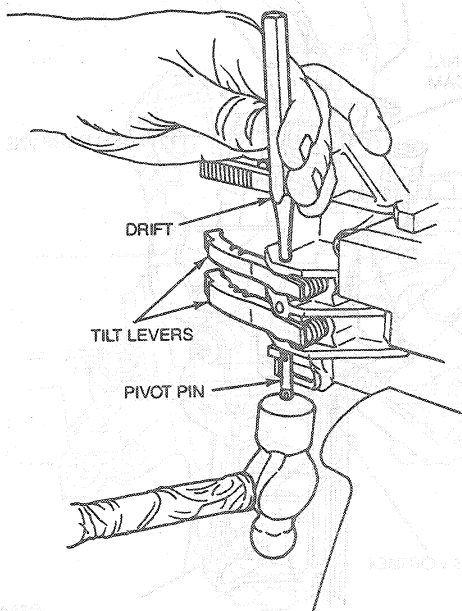


DISASSEMBLY AND ASSEMBLY (Continued)

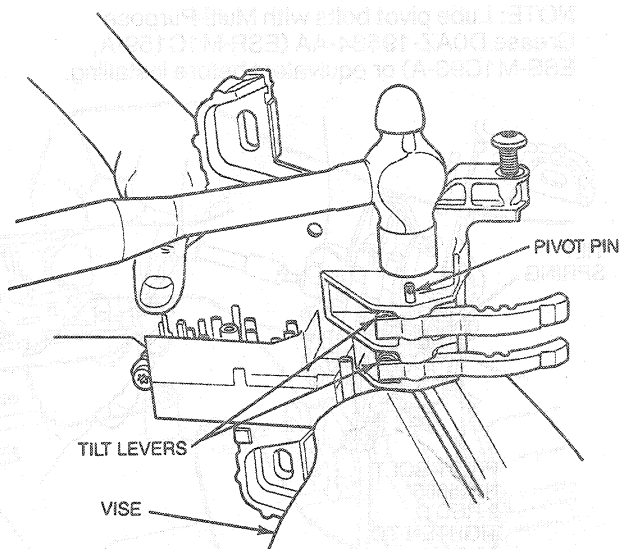
5. Position actuator cam in lock housing and install cam pivot pin with small hammer. Tap pin in until flush with housing.



6. Install one tilt lever spring and arm into housing using a drift to hold in place.
7. Install the other lever spring and arm with pivot pin. Tap pin into place while driving out drift.



8. Support housing in a vise and drive pin flush with housing.



9. Place two nuts or spacers to hold tilt lock arms away from housing.

