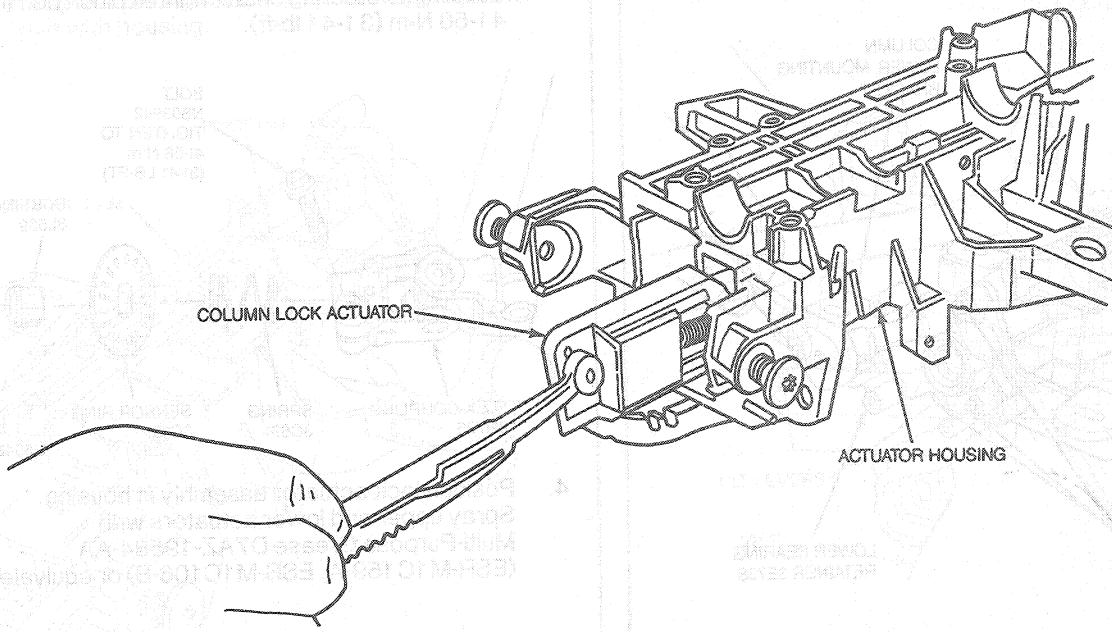


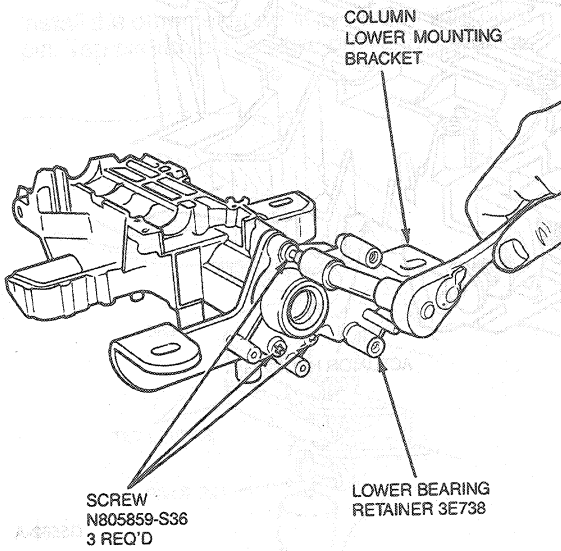
DISASSEMBLY AND ASSEMBLY (Continued)

18. Remove column lock actuator.



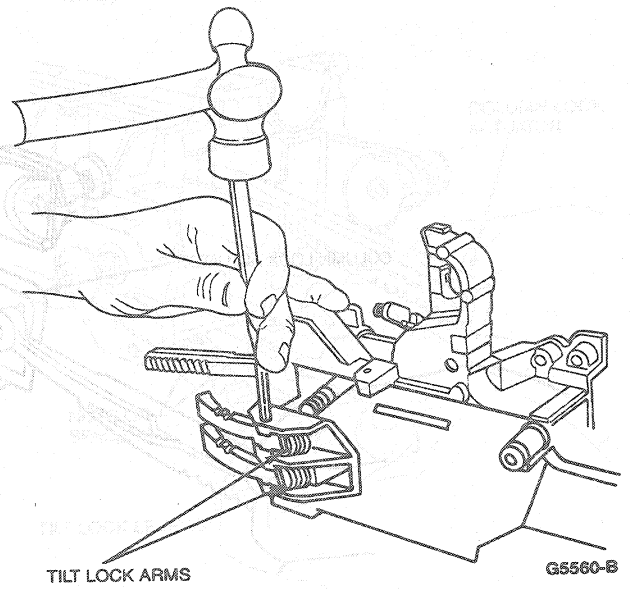
G5562-A

19. Remove lower bearing and mounting bracket.



G5541-A

20. Remove tilt position lever arm pivot pin using a drift. Remove lever lock arms and springs.



G5560-B

Assembly

1. Install steering shaft into housing.