

DISASSEMBLY AND ASSEMBLY (Continued)

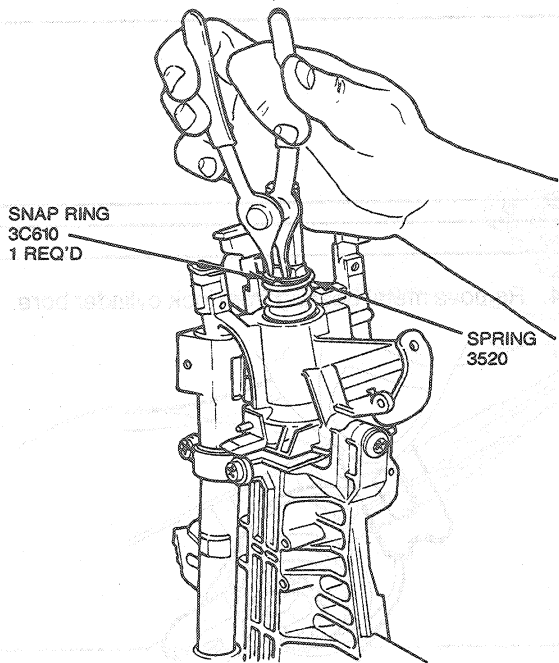
7. Remove upper snap ring and coil spring.

8. Remove steel sleeve and ring.

9. Remove shift control assembly and shift control bracket (column shift).

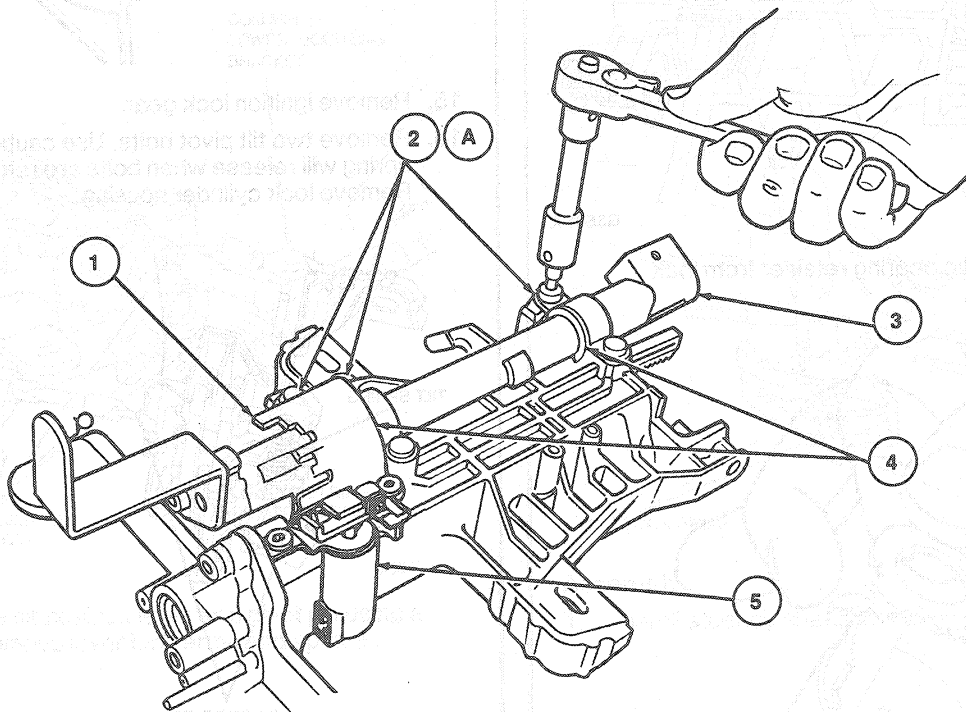
10. Remove brake shift interlock solenoid (column shift).

11. Remove shift cable bracket (column shift).



G5531-A

Column Shift



G5540-D