

DISASSEMBLY AND ASSEMBLY (Continued)

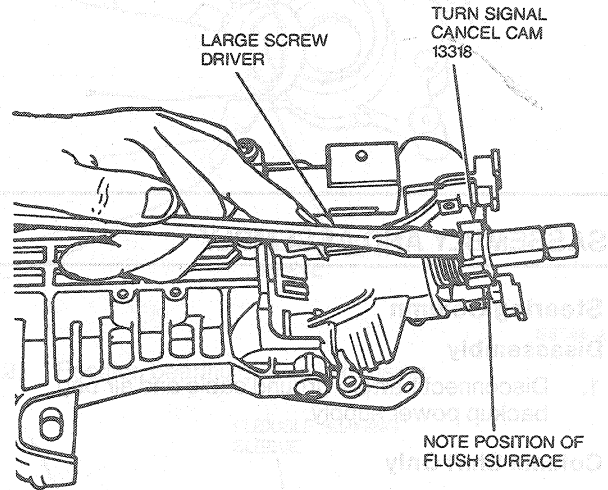
REMOVAL AND INSTALLATION (Continued)

Item	Part Number	Description
1	3C131	Sensor Ring
2	7A216	Shift Control Selector Bracket
3	7212	Shift Position Indicator Attaching Point
4	3511	Tilt Lock Housing
5	7212	Shift Selector Assy

(Continued)

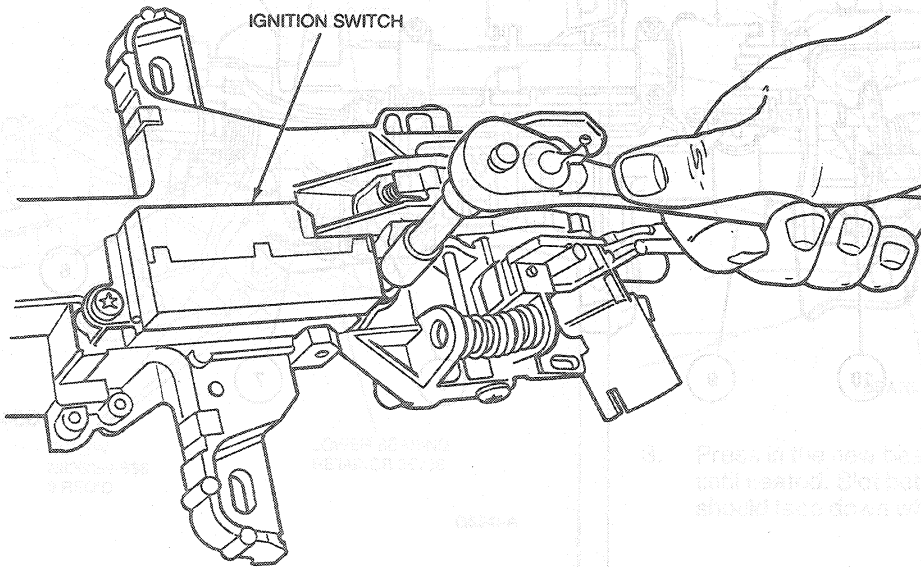
Item	Part Number	Description
6	3517	Upper Bearing (In Lock Housing)
7	3D544	Tilt Release
8	3517	Intermediate Bearing (In Lock Housing)
9	3Z719	Brake Shift Interlock Solenoid
10	3517	Lower Bearing Assy
11	7E364	Shift Cable Bracket
12	3N725	Flex Coupling

5. Remove turn signal cancelling cam by pushing up with flat-bladed screwdriver. Note direction of flush surface.



G5450-A

6. Remove ignition switch assembly.



G5538-A