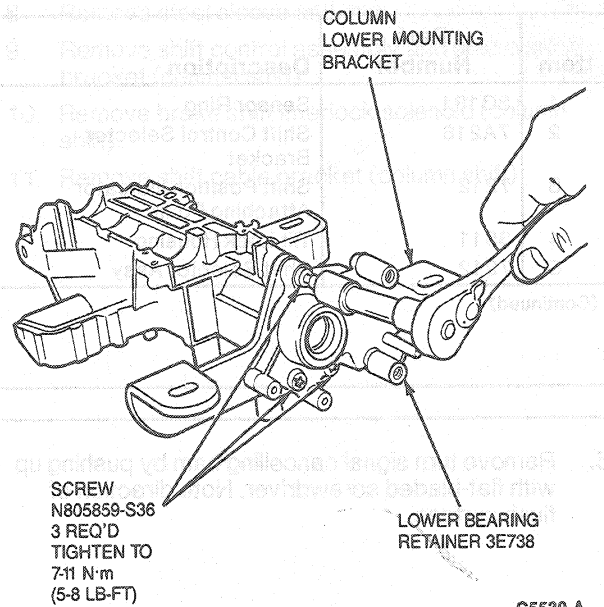


REMOVAL AND INSTALLATION (Continued)

4. Install bearing housing on steering column as outlined.

| Part Number | Item |
|-------------|------|
| 3817 | 8 |
| 30844 | 7 |
| 3817 | 8 |
| 32719 | 9 |
| 3817 | 10 |
| 17884 | 11 |
| 3817 | 12 |



G5530-A

DISASSEMBLY AND ASSEMBLY

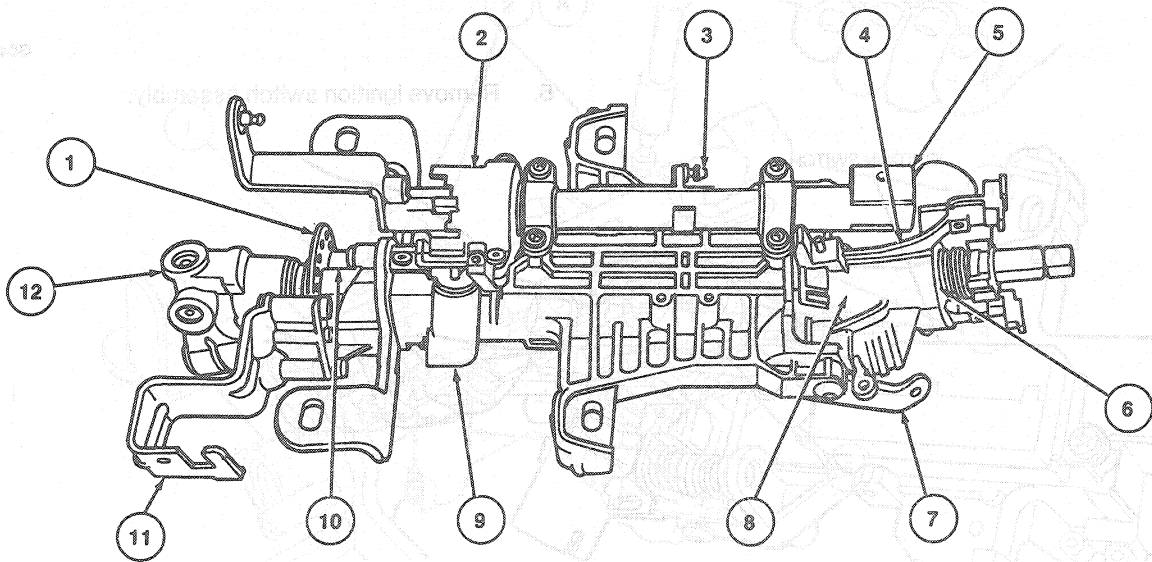
Steering Column

Disassembly

1. Disconnect battery ground cable and air bag backup power supply.

2. Remove steering wheel assembly as outlined.
3. Remove steering column from vehicle as outlined.
4. Remove lower U-joint, spring, sensor ring and bushing.

Column Shift Only



G5449-C