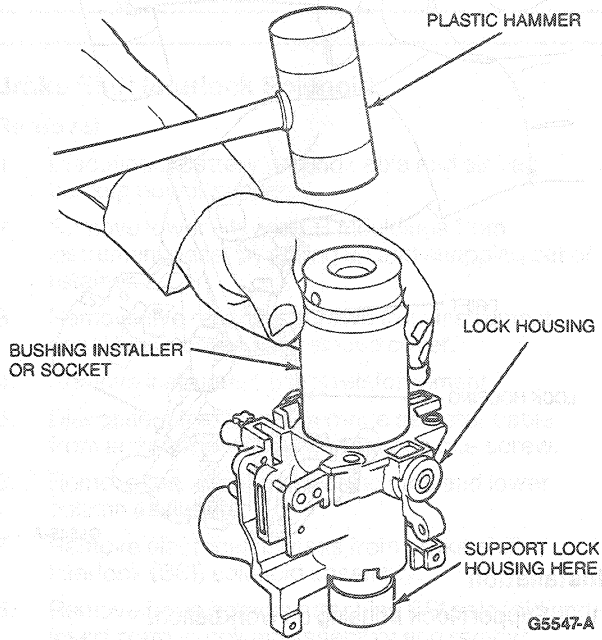


REMOVAL AND INSTALLATION (Continued)

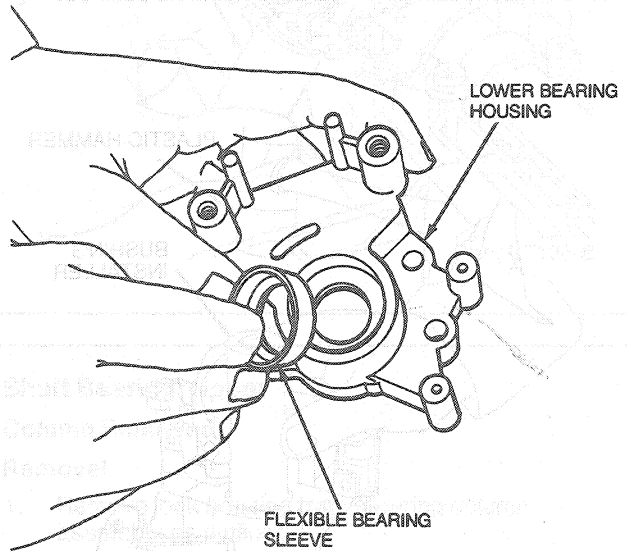
- Using a socket or bushing driver the same size as outer race of bearing, tap bearing into housing with a plastic hammer until fully seated.



- Suitably support housing and tap out bearing with a hammer and a drift.

Installation

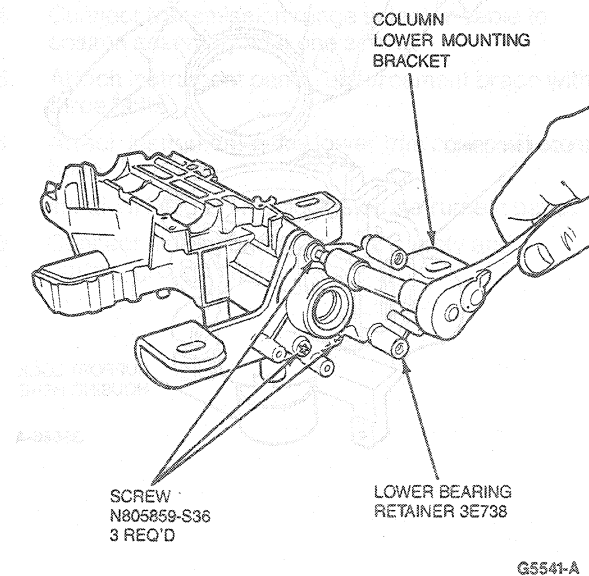
- Inspect flexible bearing sleeve. Replace if damaged.



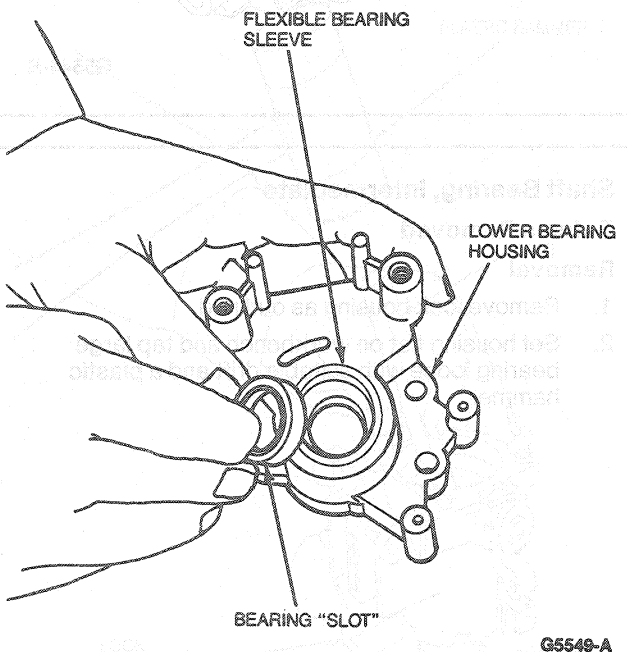
**Shaft Bearing, Lower
Column Removed**

Removal

- Remove lower steering shaft bearing and housing assembly as outlined.



- Position bearing sleeve in housing.



- Press in the new bearing with thumb pressure until seated. Slot between inner and outer races should face down when installed in the vehicle.