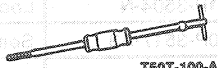
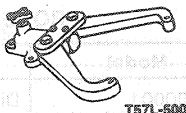
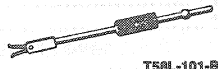

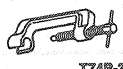
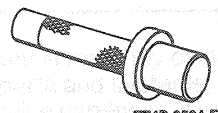
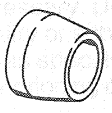
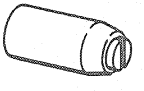

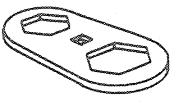
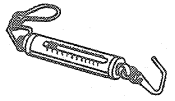
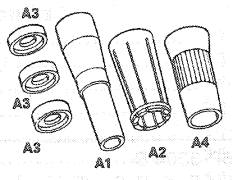
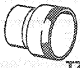

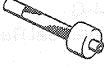

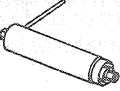

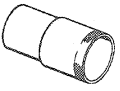
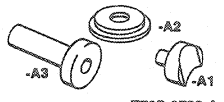


SPECIAL SERVICE TOOLS

Tool Number / Description	Illustration
T50T-100-A Impact Slide Hammer	 T50T-100-A
T57L-500-B Bench Mounted Holding Fixture	 T57L-500-B
T58L-101-B Puller Attachment	 T58L-101-B
T71P-19703-C O-Ring Tool	 T71P-19703-C
T74P-3044-A1 C-Frame and Clamp Assembly	 T74P-3044-A1
T74P-3504-F Outer Rack Seal Replacer	 T74P-3504-F
T74P-3504-G Teflon® Ring Replacer	 T74P-3504-G
T74P-3504-J Rack Seal Protector Sleeve	 T74P-3504-J
T74P-3504-R Pinion Shaft Torque Adapter	 T74P-3504-R
T74P-3504-U Nut Wrench	 T74P-3504-U
T74P-3504-Y Hook Spring Scale	 T74P-3504-Y

(Continued)

Tool Number / Description	Illustration
T75L-3517-A Seal Installation Set Consists of: T75L-3517-A1 Mandrel T75L-3517-A2 Slide Pusher T75L-3517-A3 Spacer T75L-3517-A4 Sizing Tube	 T75L-3517-A
T78P-3504-C Valve Body Insert Tool	 T78P-3504-C
T78P-3504-D Upper Pinion Bearing Seal Replacer	 T78P-3504-D
T78P-3504-G Lower Pinion Bearing Replacer	 T78P-3504-G
T78P-3504-H Pinion Housing Yoke Locknut Wrench	 T78P-3504-H
T78P-3504-J Rack Oil Seal Remover	 T78P-3504-J
T78P-3504-L Rack Bushing Holding Tool	 T78P-3504-L
T78P-3504-M Teflon® Ring Sizing Tool	 T78P-3504-M
T78P-3733-A1 Upper Support Plate T78P-3733-A2 Lower Support Plate T78P-3733-A3 Seal Driver	 T78P-3733-A

(Continued)