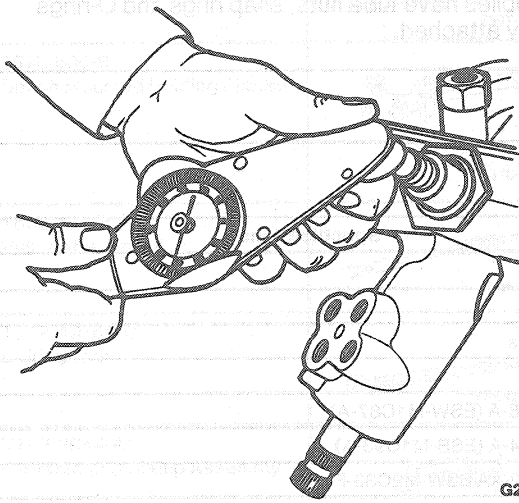


ADJUSTMENTS (Continued)

8. With the rack at the center of travel, tighten the yoke plug to 5-5.6 N-m (45-50 lb-in). Clean the threads of the yoke plug prior to tightening to prevent a false reading.



G2721-C

9. Back-off the yoke plug approximately one-eighth turn (44 degrees minimum to 54 degrees maximum) until the torque required to initiate and sustain rotation of the input shaft is to 0.78-2.03 N-m (7-18 lb-in).

CAUTION: Do not allow the yoke plug to move while tightening or the preload will be affected.

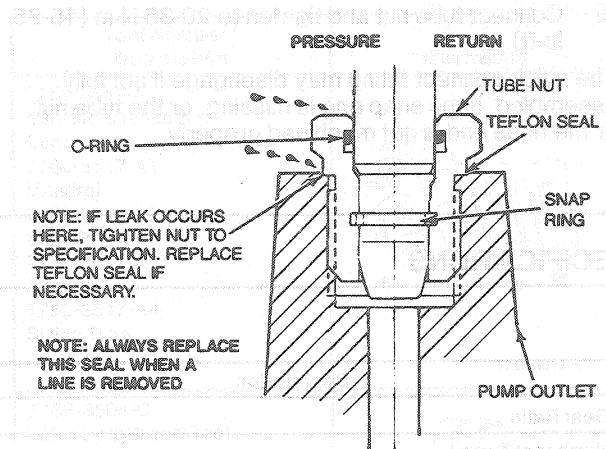
10. Place Pinion Housing Yoke Locknut Wrench T78P-3504-H on the yoke plug locknut. While holding the yoke plug, tighten the locknut to 60-89 N-m (44-66 lb-ft).

Check input shaft torque (Step 9) after tightening locknut.

11. If the external transfer tubes were removed, they must be replaced with new service line. Remove the plastic seals from the housing ports prior to installation of new lines.

Quick Connect Power Steering Fitting, Atsugi Seal Replacement

If a leak occurs between the tubing and tube nut, replace the hose assembly. If a leak occurs between the tube nut and the pump outlet, replace the plastic washer.

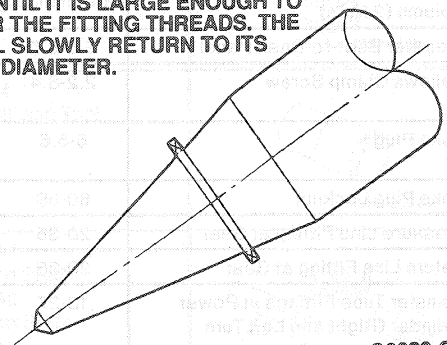


G5248-B

The following procedure should be used:

1. Check fitting to determine whether leak is between tube and tube nut or between tube nut and pump outlet fitting.
- CAUTION:** DO NOT over-tighten. If tube nuts are overtightened, stripping of housing threads may occur and bores may concave.
2. If leak is between tube nut, check to ensure nut is tightened to 20-35 N-m (15-25 lb-ft).
 3. If leak continues or if leak is between tube and tube nut, remove line.
 4. Unscrew tube nut, and inspect plastic seal washer. Always replace plastic seal washer (Part No. 388898-S) when line is removed. To facilitate assembly of new plastic seal washer, a tapered shaft may be required to stretch washer, so it may be slipped over tube nut threads.

STRETCH PLASTIC SEAL OVER A TEFLON SEAL INSTALLER (D90P-3517-A3) OR A TAPERED TOOL, SUCH AS A CENTER PUNCH, UNTIL IT IS LARGE ENOUGH TO SLIP OVER THE FITTING THREADS. THE SEAL WILL SLOWLY RETURN TO ITS ORIGINAL DIAMETER.



G3023-C

5. The rubber O-ring cannot be serviced with this design. If leak is due to the O-ring, replace the hose assembly.