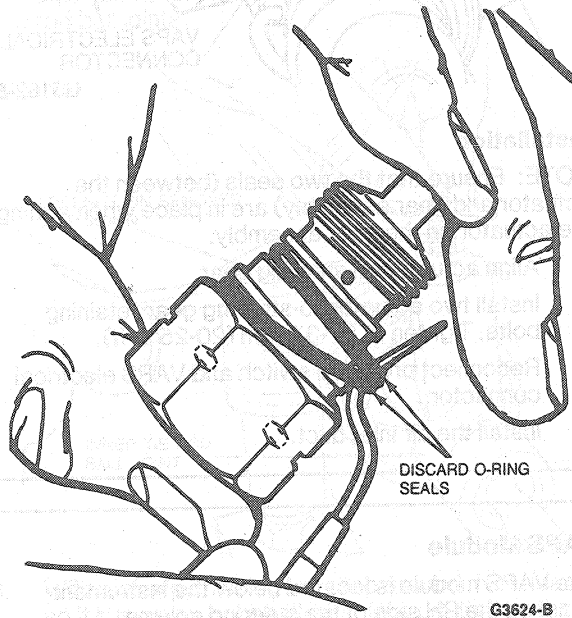
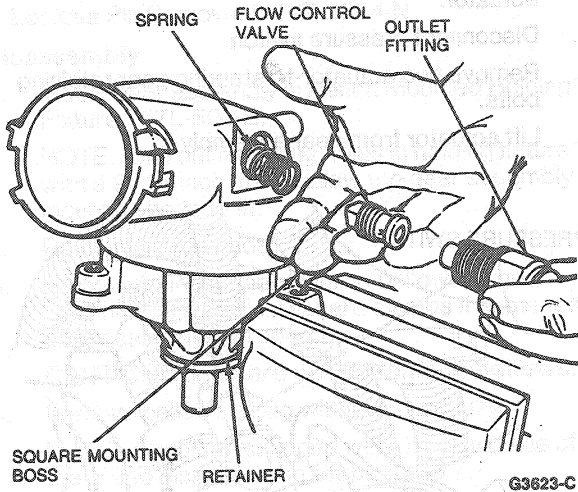


### REMOVAL AND INSTALLATION (Continued)

#### Removal

1. Place pump assembly in a bench vise with soft jaws and remove outlet fitting, flow control valve, and spring. Discard all seals.



2. Remove fiberglass reservoir by twisting side-to-side and lifting.

