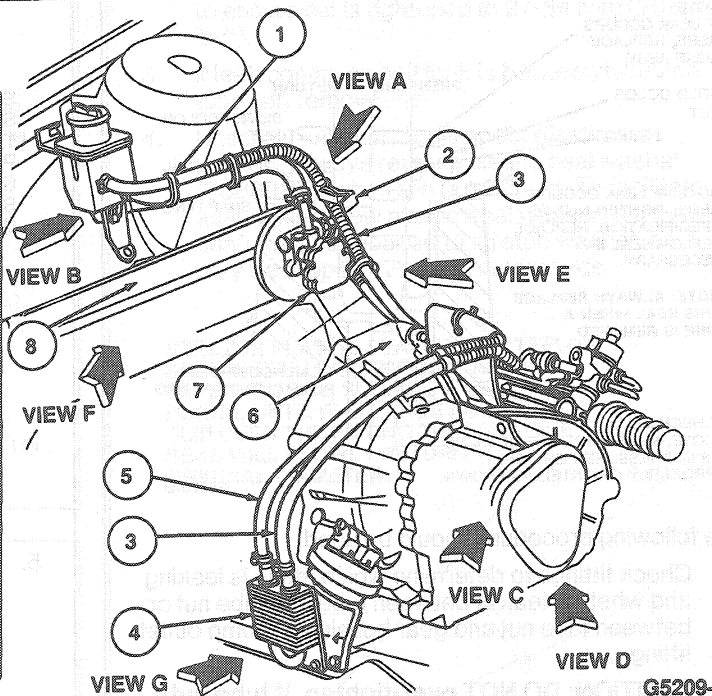
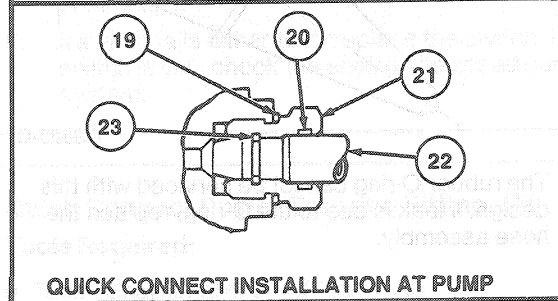
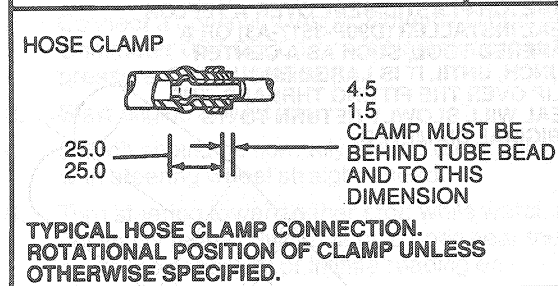
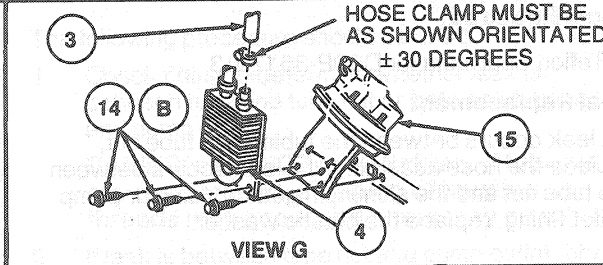
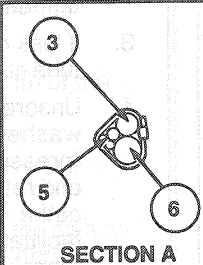
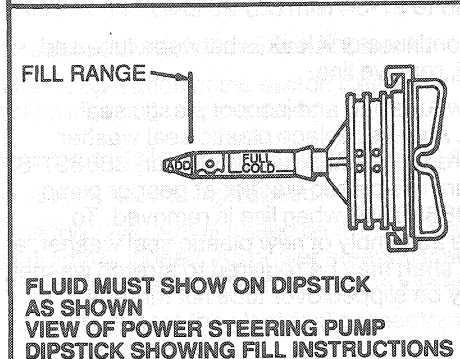
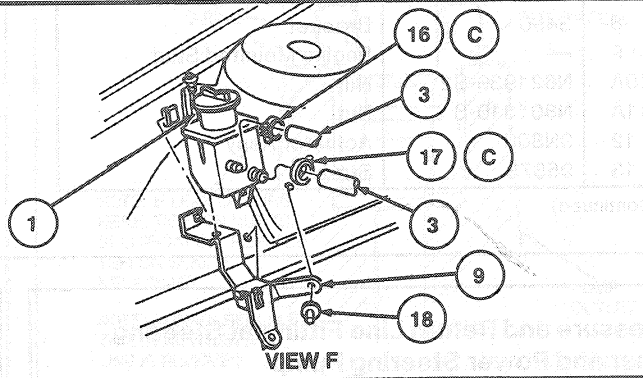
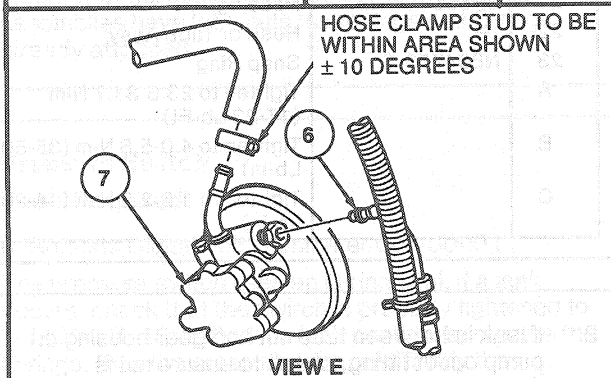
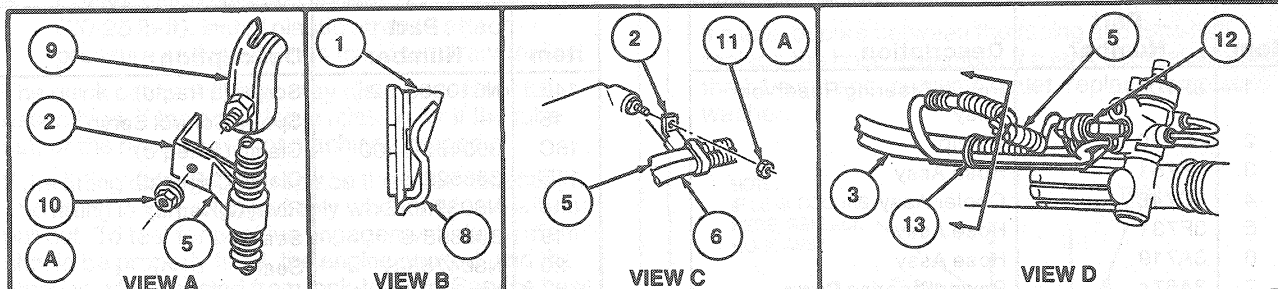


REMOVAL AND INSTALLATION (Continued)



G5209-D