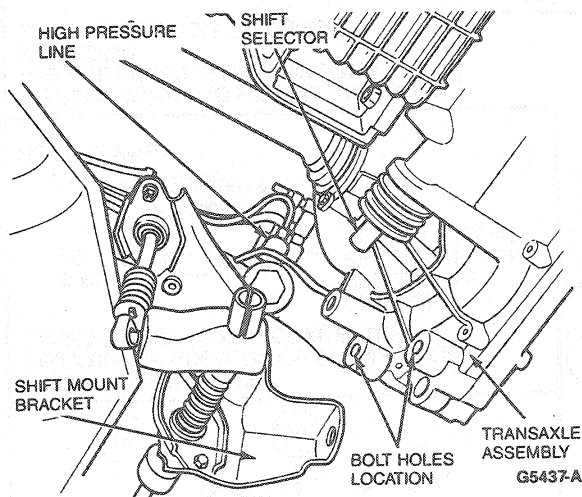


REMOVAL AND INSTALLATION (Continued)

10. Install strap to secure supply line to return line.
11. Connect battery ground cable.
12. Fill system. Refer to Section 11-00.

Pressure Line**Taurus SHO****Removal**

1. Disconnect battery ground cable.
2. Remove engine damper shock. Refer to Section 03-01B.
3. Remove power steering belt.
4. Raise vehicle. Refer to Section 00-02.
5. Remove RH front wheel and tire.
6. Position jack under engine.
7. Remove RH rear engine mount. Refer to Section 03-01B.
8. Remove power steering pump pulley.
9. Position drain pan under pump.
10. Remove pressure line fitting at power steering pump.
11. Cut tie straps and remove heat shield around steering gear assembly.
12. Remove shift linkage mount bracket from transaxle to gain access to high pressure line at gear housing.



13. Disconnect electrical connector on power steering pressure switch at steering gear.
14. Remove pressure line fitting at steering gear.
15. Remove high pressure line from vehicle.

Installation

1. Position high pressure line in vehicle and connect line at power steering pump and steering gear.
2. Connect electrical harness to power steering pressure switch.

3. Install shift linkage mount bracket to transaxle.
4. Position heat shield around steering gear assembly and install tie straps.
5. Remove drain pan.
6. Install power steering pump pulley.
7. Install RH rear engine mount.
8. Remove jack.
9. Install wheel and tire. Tighten wheel lug nuts to 115-142 N·m (85-105 lb-ft).
10. Lower vehicle.
11. Install power steering belt.
12. Install engine damper shock.
13. Connect battery ground cable.
14. Fill system. Refer to Section 11-00.

Cooler Lines**Steering Gear to Cooler****Taurus SHO****Removal**

1. Disconnect battery ground cable.
2. Raise vehicle. Refer to Section 00-02.
3. Loosen hose clamp at cooler. Disconnect line and drain fluid into a suitable container.
4. Remove shift mount bracket.
5. Cut tie straps and remove heat shield from steering gear.
6. Disconnect hose at steering gear.
7. Lower vehicle.
8. Remove hose from vehicle.

Installation

1. Position hose in vehicle.
2. Raise vehicle.
3. Connect hose at steering gear.
4. Position heat shield and install tie straps.
5. Install shift mount bracket.
6. Connect line to cooler and tighten clamp to 1.4-2 N·m (13-17 lb-in).
7. Lower vehicle.
8. Connect battery ground cable.
9. Fill system. Refer to Section 11-00.

Cooler to Reservoir**Taurus SHO****Removal**

1. Disconnect battery ground cable.
2. Raise vehicle. Refer to Section 00-02.