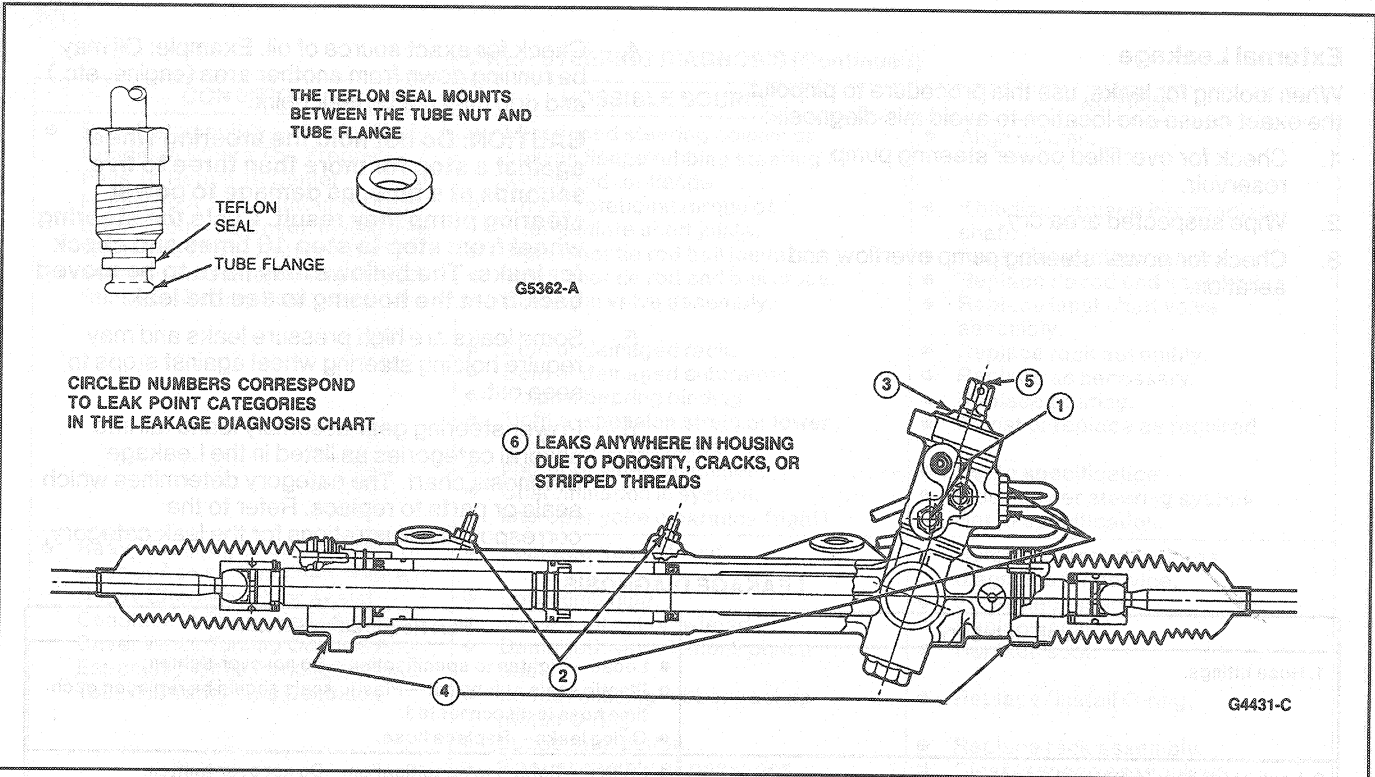


DIAGNOSIS AND TESTING (Continued)

DIAGNOSIS AND TESTING (Continued)



Pump Noise, Atsugi

NOTE: The power steering pump is serviced as an assembly. If any service is required, the entire pump assembly must be replaced.

Refer to pump noise diagnosis chart.

Test Procedure

For test procedure refer to Section 11-00.