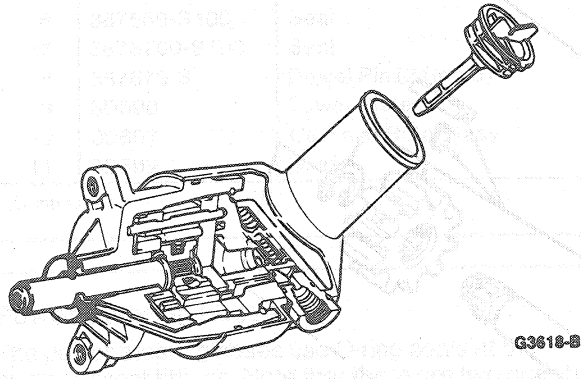


DESCRIPTION (Continued)

A pressure-sensitive identification tag is attached to the reservoir body. This tag indicates the basic model number and the suffix.

**CAUTION:** Always use the model codes on the tag when requesting service parts in case of differences in internal components. Refer to Section 11-00 for an example of this tag.



G3618-B

G-40363