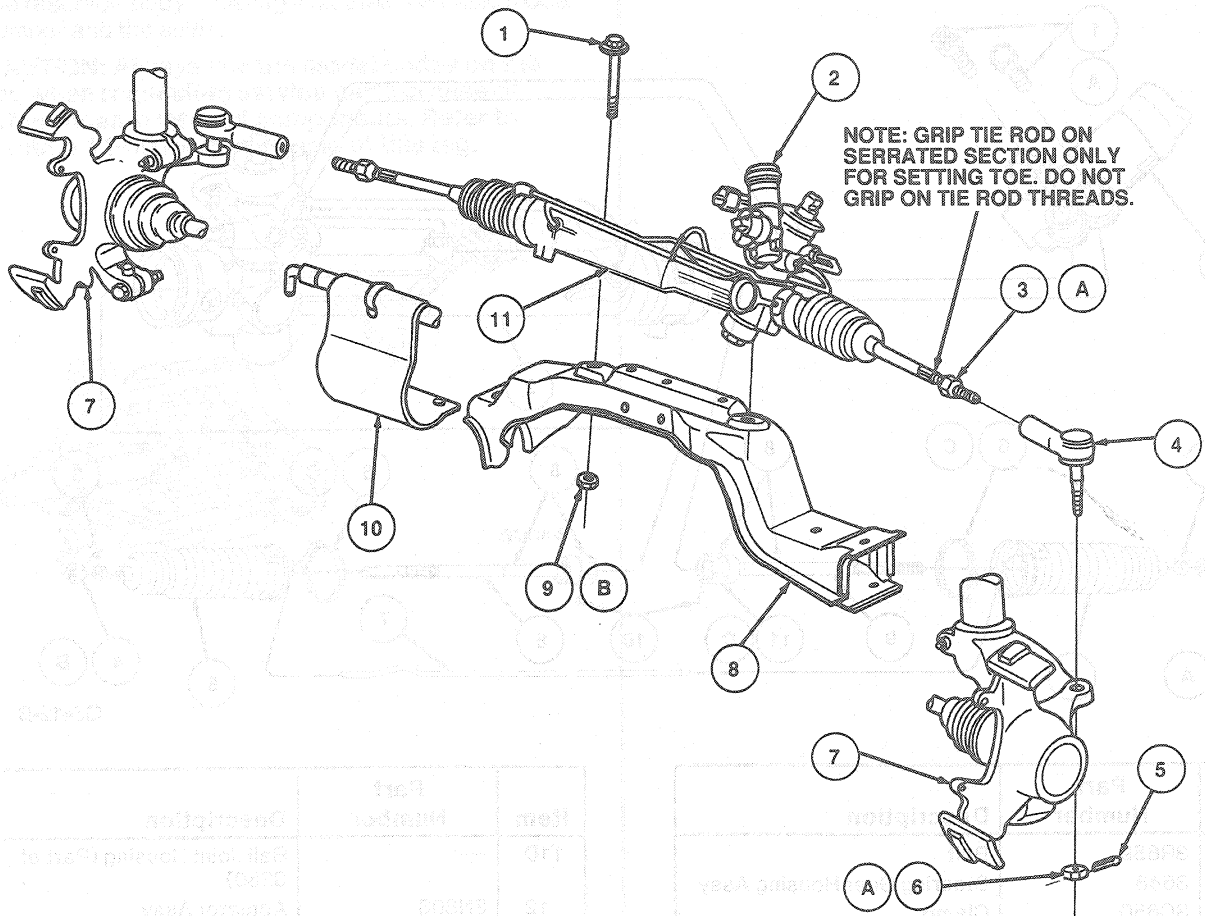


DESCRIPTION (Continued)



Item	Part Number	Description
1	N804433-S150	Bolt (2 Req'd)
2	3N803	Actuator Assy
3A	N803637-S36	Nut (2 Req'd)
4	3289	Tie Rod End Assy (2 Req'd)
5	72044-S100	Cotter Pin (2 Req'd)
6A	N803972-S150	Nut (2 Req'd)
7	3K 185 (LH) 3K 186 (RH)	Spindle Assy

(Continued)

Item	Part Number	Description
8	—	Crossmember
9B	N803956-S150	Nut (2 Req'd)
10	3F570	Shield
11	3504	Gear Assy
A		Tighten to 47-68 N-m (35-50 Lb-Ft)
B		Tighten to 115-135 N-m (85-100 Lb-Ft)

G4920-B

TG4920C