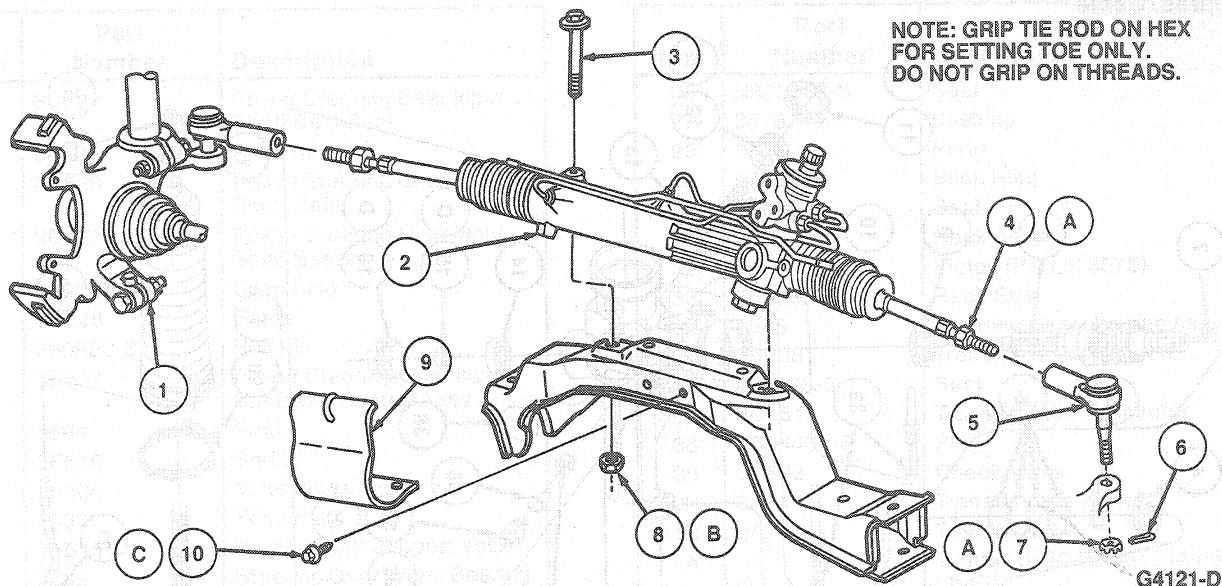


DESCRIPTION (Continued)



NOTE: GRIP TIE ROD ON HEX FOR SETTING TOE ONLY. DO NOT GRIP ON THREADS.

G4121-D

Item	Part Number	Description
1	3K1867	Spindle Assy
2	3504	Gear Assy
3	804246-S150	Bolt (2 Req'd)
4A	N803637-S36	Nut (2 Req'd)
5	3289	Tie Rod End Assy (2 Req'd)
6	—	Cotter Pin (2 Req'd)
7A	N803972-S150	Nut (2 Req'd)

Item	Part Number	Description
8B	N803956-S150	Nut (2 Req'd)
9	3F540	Shield
10C	N610957-S36	Bolt (2 Req'd)
A		Tighten to 47-68 N-m (35-50 Lb-Ft)
B		Tighten to 115-135 N-m (85-100 Lb-Ft)
C		Tighten to 5.5-8.0 N-m (49-71 Lb-In)

(Continued)

