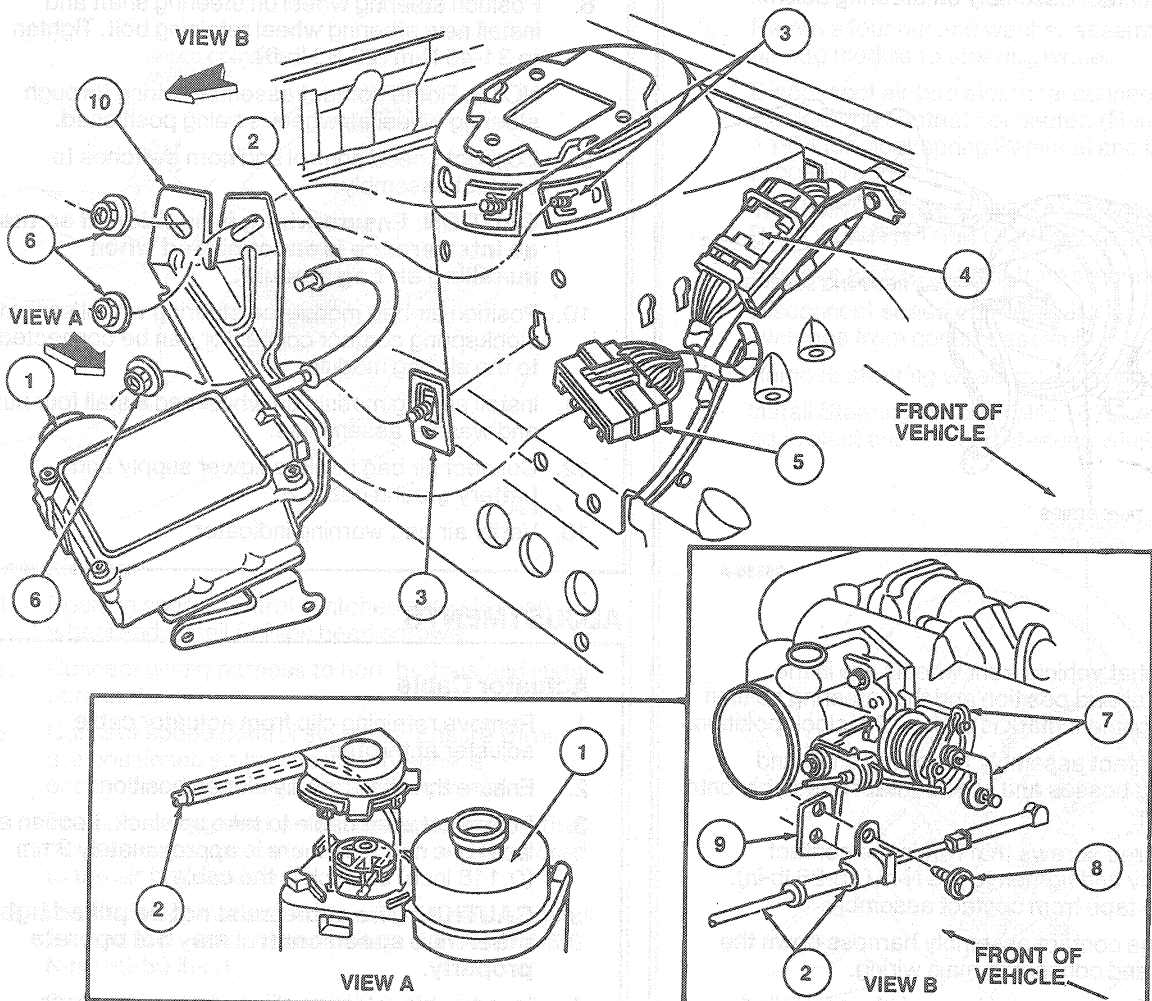


ADJUSTMENTS (Continued)

Speed Control Actuator and Servo



L8197-A

Item	Part Number	Description
1	9C736	Speed Control Servo Bracket
2	—	Actuator Assy
3	N804526-S100	Bolt and Retainer (3 Req'd)
4	14401	Wiring Assy

(Continued)

Item	Part Number	Description
5	14290	Wiring Assy
6	N620481-S2	Nut (3 Req'd)
7	—	Throttle Control Assy
8	N611057-S2	Screw
9	9728	Accelerator Shaft Bracket

SPECIFICATIONS

TORQUE SPECIFICATIONS

Description	N-m	Lb-In
Servo Nut	5-7	45-61
Cable Cover Nut	4-6	36-53
Air Bag Module Nut	4-5.6	35-50
Contact Brush Assembly Screw	2-3	18-26

(Continued)

TORQUE SPECIFICATIONS (Cont'd)

Description	N-m	Lb-In
Steering Wheel Bolt	31-45	23-33 (Lb-Ft)
Wheel Lug Nuts	115-142	85-104 (Lb-Ft)
Servo Nut	9.5-12	7-8 (Lb-Ft)
Sensor Retaining Nut	3.4-4.5	31-39