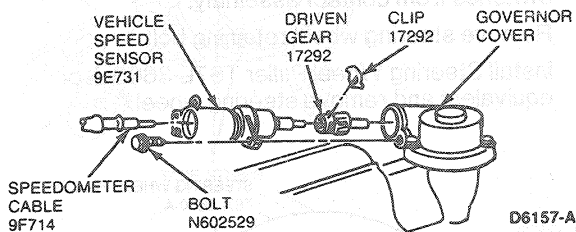


REMOVAL AND INSTALLATION (Continued)

Vehicle Speed Sensor (VSS) AX4S Transaxle

Removal

1. Raise vehicle on a hoist. Refer to Section 00-02.
2. Remove Y-pipe and heated oxygen sensors (H02S)(9F472) from the exhaust system.
3. Remove VSS exhaust heat shield.
4. Remove bolt retaining VSS mounting clip to transaxle.
5. Remove VSS and driven gear from transaxle.



6. Disconnect electrical connector and speedometer cable from VSS.
NOTE: Do not attempt to remove spring retaining clip from driven gear with speedometer cable in VSS.
7. Remove driven gear retainer and driven gear from VSS.

Installation

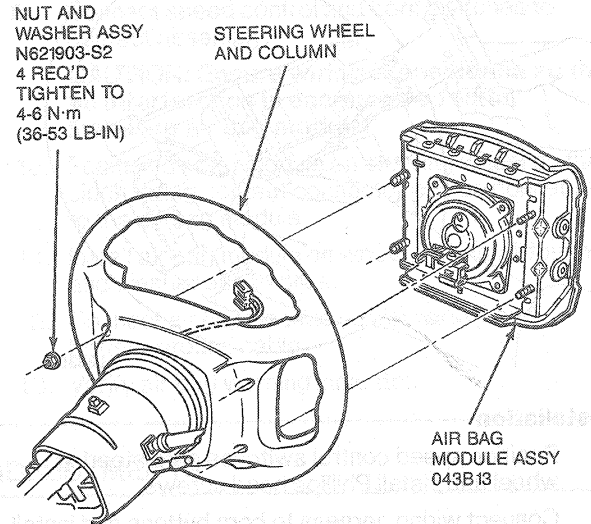
1. Position driven gear to VSS. Install gear retainer.
2. Connect electrical connector to VSS.
3. Ensure internal O-ring is seated properly in VSS housing. Snap speedometer cable into VSS housing.
4. Install VSS into transaxle and secure with retaining bolt.
5. Install VSS exhaust heat shield.
6. Install Y-pipe and heated oxygen sensors to exhaust system.
7. Lower vehicle and verify proper speedometer / odometer operation.

Control Switches

Removal

1. Disconnect battery ground cable and air bag backup power supply. Refer to Section 01-20B.
2. Remove four nut and washer assemblies retaining air bag module to steering wheel.

3. Disconnect air bag electrical connector from clockspring contact connector.
4. Remove air bag module from steering wheel.
WARNING: PLACE AIR BAG MODULE ON BENCH WITH TRIM COVER FACING UP.



5. Remove horn buttons by gently prying with a small screwdriver. Disconnect horn wiring harness connector.
6. Remove Phillips head screws from speed control switch assemblies.

