

REMOVAL AND INSTALLATION (Continued)

Item	Part Number	Description
1	9C735	Speed Control Servo
2	—	Actuator Assy
3	N804526-S100	Bolt and Retainer (3 Req'd)
4	14401	Wiring Assy

(Continued)

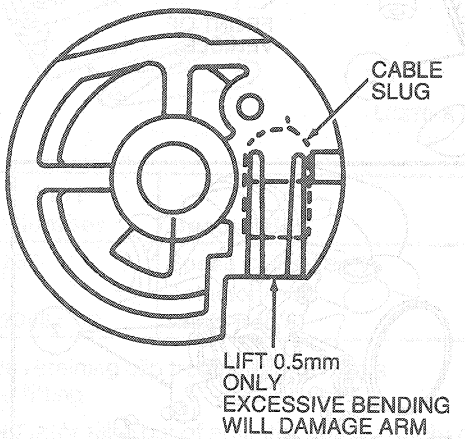
Item	Part Number	Description
5	14290	Wiring Assy
6	N620481-S2	Nut (3 Req'd)
7	—	Throttle Control Assy
8	N611057-S2	Screw
9	9728	Accelerator Shaft Bracket

Removal

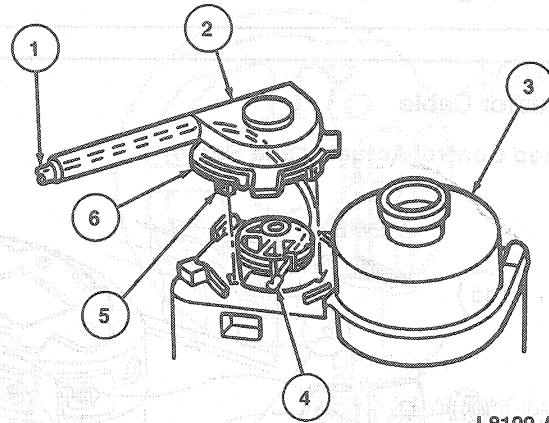
1. Remove screw attaching actuator assembly cable to accelerator shaft bracket.
2. Remove actuator assembly cable from throttle control.
3. Remove actuator cable cap from the speed control servo by depressing cap locking arm and rotating the cap counterclockwise.
4. Remove cable slug from servo pulley. Gently pry-up the arm slightly with a small screwdriver, and at the same time push the cable slug out of the pulley slot.

CAUTION: Excessive bending of the arm will cause it to break. DO NOT USE servos with damaged or missing locking arms.

PULLEY WITH PLASTIC LOCKING ARM



L8288-A



L8199-A

Item	Part Number	Description
1	—	Actuator Assy
2	—	Actuator Cable Cap
3	9C735	Speed Control Servo
4	—	Cable Ball Slug
5	—	Cap Locking Tabs
6	—	Locking Arm

Installation

1. Make sure that rubber seal is fully seated on actuator cable cap.
2. Lock cable ball slug into servo pulley slot.
3. Pull on throttle attachment end of cable to draw cable cap onto servo pulley.
4. Align cable cap tabs with slots in servo housing. Insert cap into the speed control servo and rotate clockwise until the locking arm engages.
5. Snap actuator assembly cable onto throttle control and install screw at accelerator shaft bracket. Tighten to 3-4 N·m (27-35 lb-in).
6. Check cable adjustment as outlined.
7. Ensure that cable is routed properly. Position into retaining clips.

NOTE: Incorrect wrapping of cable core wire around servo pulley may result in a high idle condition. Ensure that throttle lever is at idle position after cable installation and adjustment.