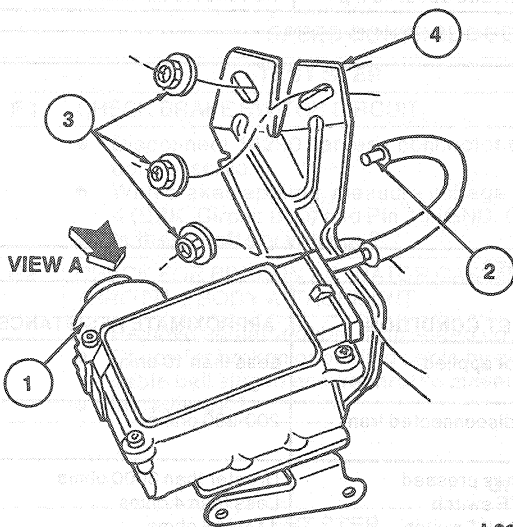
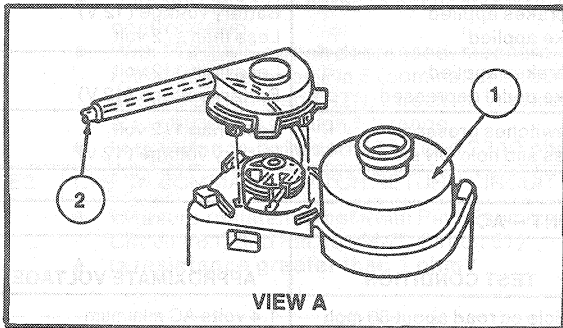


REMOVAL AND INSTALLATION

Servo and Bracket Assembly

Removal

Speed Control Actuator and Servo



L8270-A

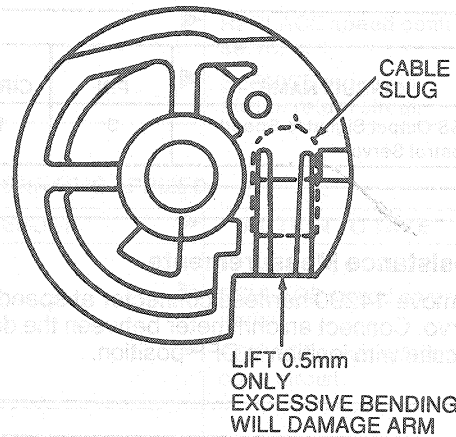
Item	Part Number	Description
1	9C735	Speed Control Servo
2	—	Actuator Assy
3	N620481-S2	Nut (3 Req'd)

1. Remove retaining clip from actuator cable adjuster fitting.
2. Push actuator tube out of adjuster fitting attached to throttle cable.
3. Disconnect 14290 harness connector at speed control servo.
4. Remove three nuts attaching assembly to vehicle.
5. Remove actuator cable cap from speed control servo by depressing cap locking arm and rotating cap counterclockwise.

6. Remove cable slug from servo pulley. Gently pry-up the arm slightly with a small screwdriver, and at the same time push the cable slug out of the pulley slot.

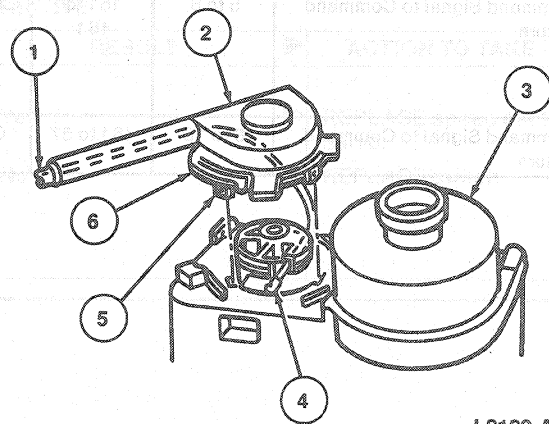
CAUTION: Excessive bending of the arm will cause it to break. DO NOT USE servos with damaged or missing locking arms.

PULLEY WITH PLASTIC LOCKING ARM



L8288-A

7. Remove bracket from the speed control servo. Keep bracket and three screws for reinstallation on speed control servo



L8199-A

Item	Part Number	Description
1	—	Actuator Assy
2	—	Actuator Cable Cap
3	9C735	Speed Control Servo
4	—	Cable Ball Slug
5	—	Cap Locking Tabs
6	—	Locking Arm