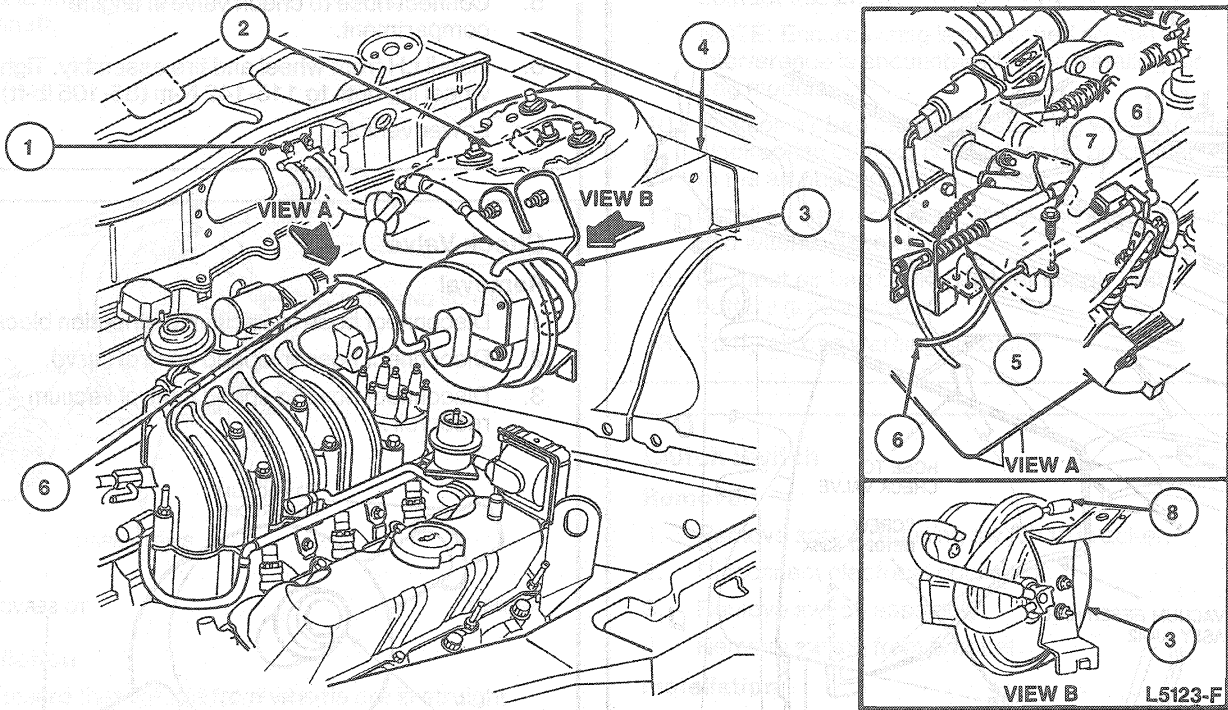


REMOVAL AND INSTALLATION (Continued)

REMOVAL AND INSTALLATION (Continued)

3.0L Engine



Item	Part Number	Description
1	—	Vacuum Distribution Block
2	—	To Speed Control Vacuum Reservoir
3	9C735	Speed Control Servo

Item	Part Number	Description
4	—	Driver's Side Shock Tower
5	—	Throttle Cable
6	9A825	Speed Control Actuator
7	N611057	Screw
8	—	To Speed Control Metering (Dump) Valve Assy

(Continued)

3.0L SHO

