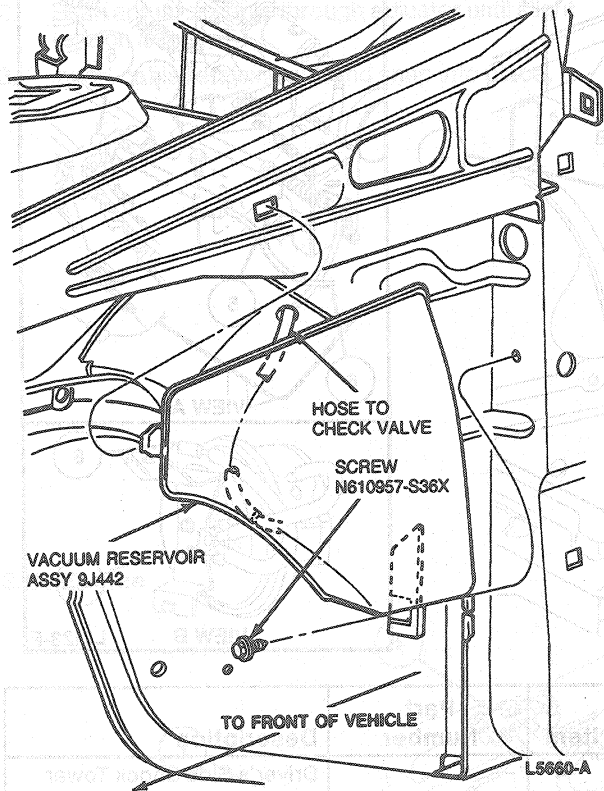


## REMOVAL AND INSTALLATION (Continued)

6. Remove speed control vacuum reservoir assembly by pulling hose through cowl side panel.

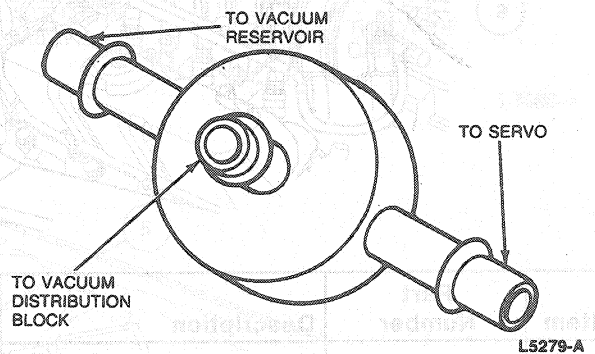
**Installation**

1. Place speed control vacuum reservoir hook in slot and slide rearward.
2. Install speed control vacuum reservoir assembly to A-pillar with retaining screw.
3. Route vacuum hose from speed control vacuum reservoir through cowl side panel.

4. Install inner fender splash shield.
5. Connect hose to check valve in engine compartment.
6. Install LH front wheel and tire assembly. Tighten wheel lug nuts to 115-142 N·m (85-105 lb-ft).
7. Lower vehicle.

**Check Valve****Removal**

1. Disconnect hose to vacuum distribution block.
2. Disconnect hose to speed control servo.
3. Disconnect hose to speed control vacuum reservoir.

**Installation**

1. Connect hose from vacuum distribution block to VAC port on check valve.
2. Connect hose from speed control servo.
3. Connect hose from speed control vacuum reservoir.