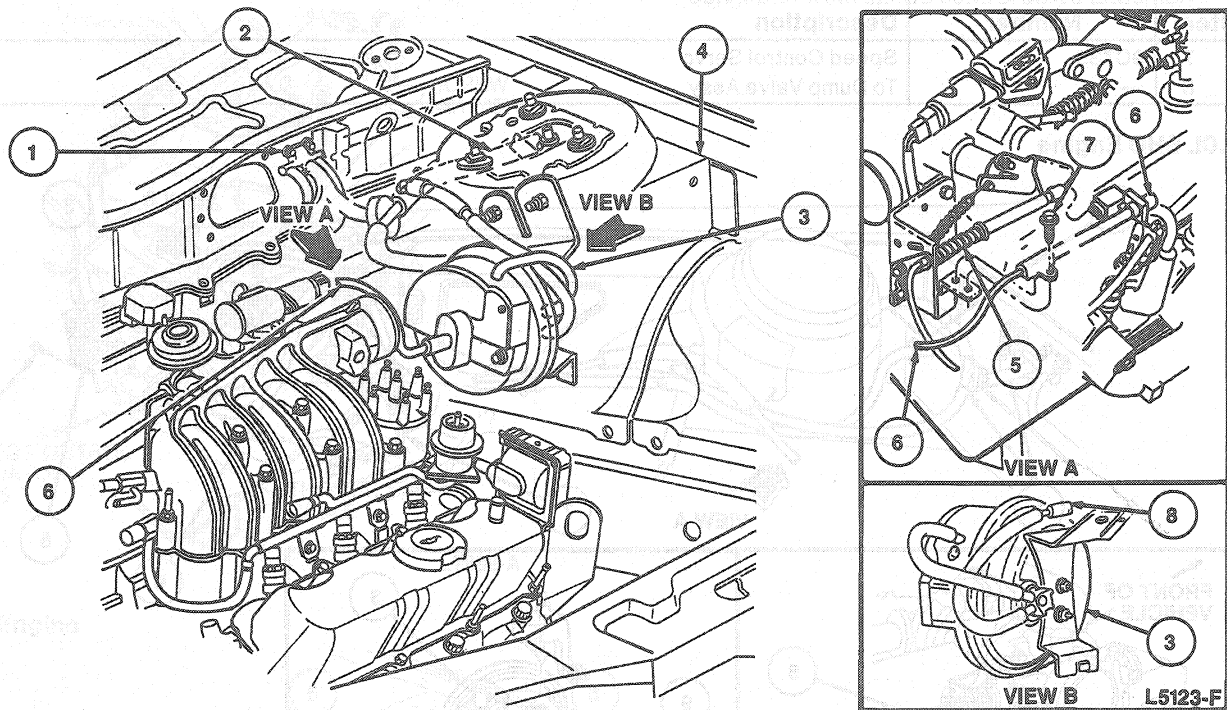


REMOVAL AND INSTALLATION (Continued)

3.0L Engine



Item	Part Number	Description
1	—	Vacuum Distribution Block
2	—	To Vacuum Reservoir
3	9C735	Speed Control Servo
4	—	Driver's Side Shock Tower
5	—	Throttle Cable
6	9A825	Speed Control Actuator
7	N611057	Screw
8	—	To Speed Control Metering (Dump) Valve Assy

4. Remove two nuts retaining speed control servo to its mounting bracket.
5. Carefully remove speed control servo and cable assembly.
6. Remove two nuts retaining cable cover to speed control servo.
7. Pull off cover and remove cable assembly.

Installation

1. Attach cable to speed control servo.
2. Install cable cover to speed control servo with two nuts. Tighten to 5-7 N·m (45-61 lb-in).
3. Install speed control servo to mounting bracket. Tighten retaining nuts to 5-7 N·m (45-61 lb-in).
4. Feed actuator cable under cleaner air duct.

5. Snap actuator cable with adjuster onto accelerator cable.
6. Connect actuator cable to accelerator cable bracket and install push pin.
7. Install two vacuum hoses and electrical connector at speed control servo.

Actuator Cable**Removal and Installation**

To replace actuator assembly, remove speed control servo assembly, attach new actuator cable assembly to speed control servo and install total assembly.