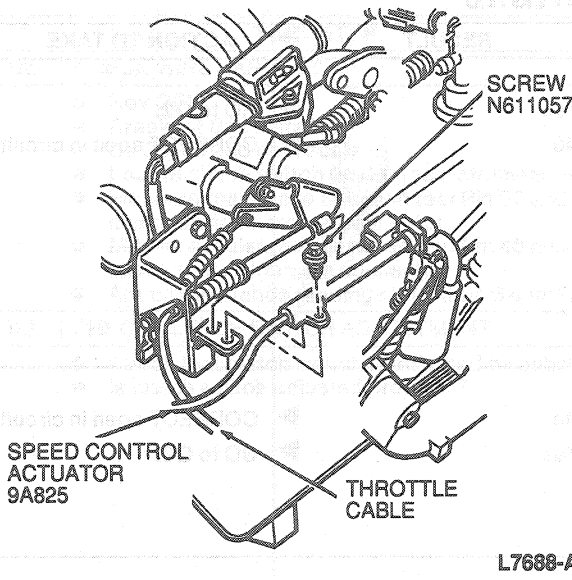


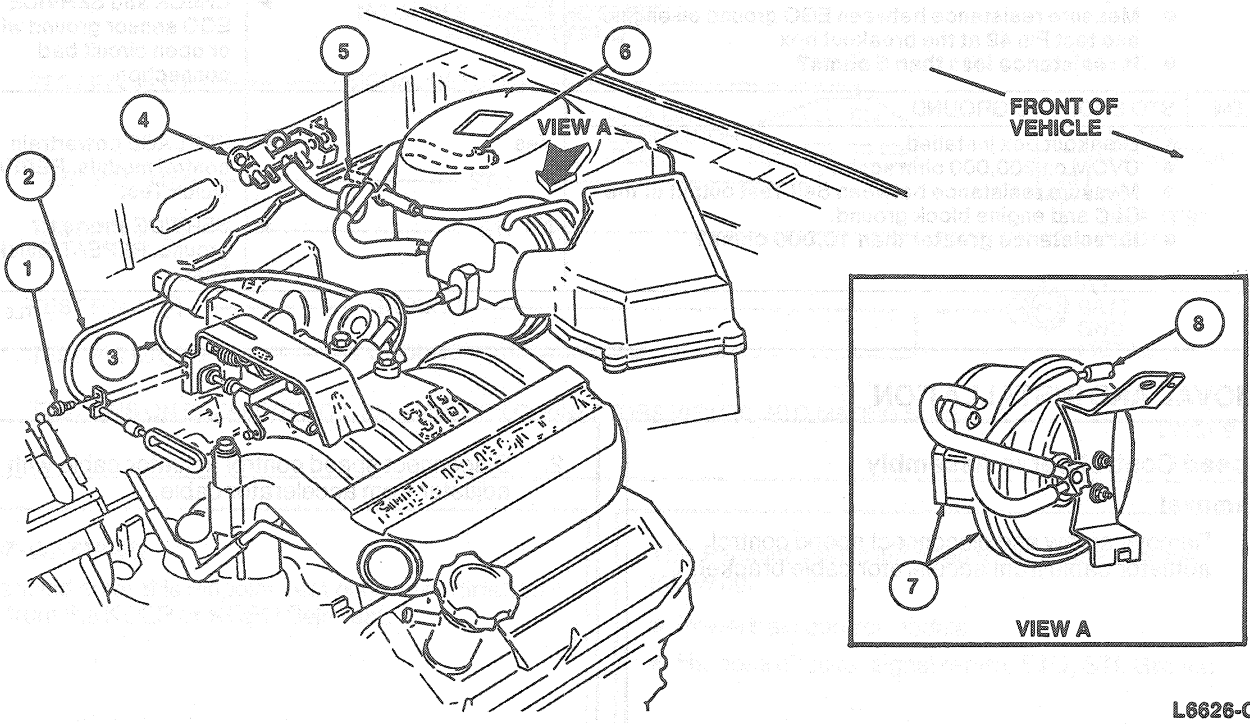
REMOVAL AND INSTALLATION (Continued)

3.0L Engine

3. Remove two vacuum hoses and electrical connector from speed control servo assembly.



3.8L Engine



Item	Part Number	Description
1	N611057-S2	Screw
2	9A825	Speed Control Actuator
3	—	Throttle Cable
4	—	Vacuum Distribution Block
5	9C727	To Speed Control Metering (Dump) Valve
6	—	To Vacuum Reservoir Assy

(Continued)