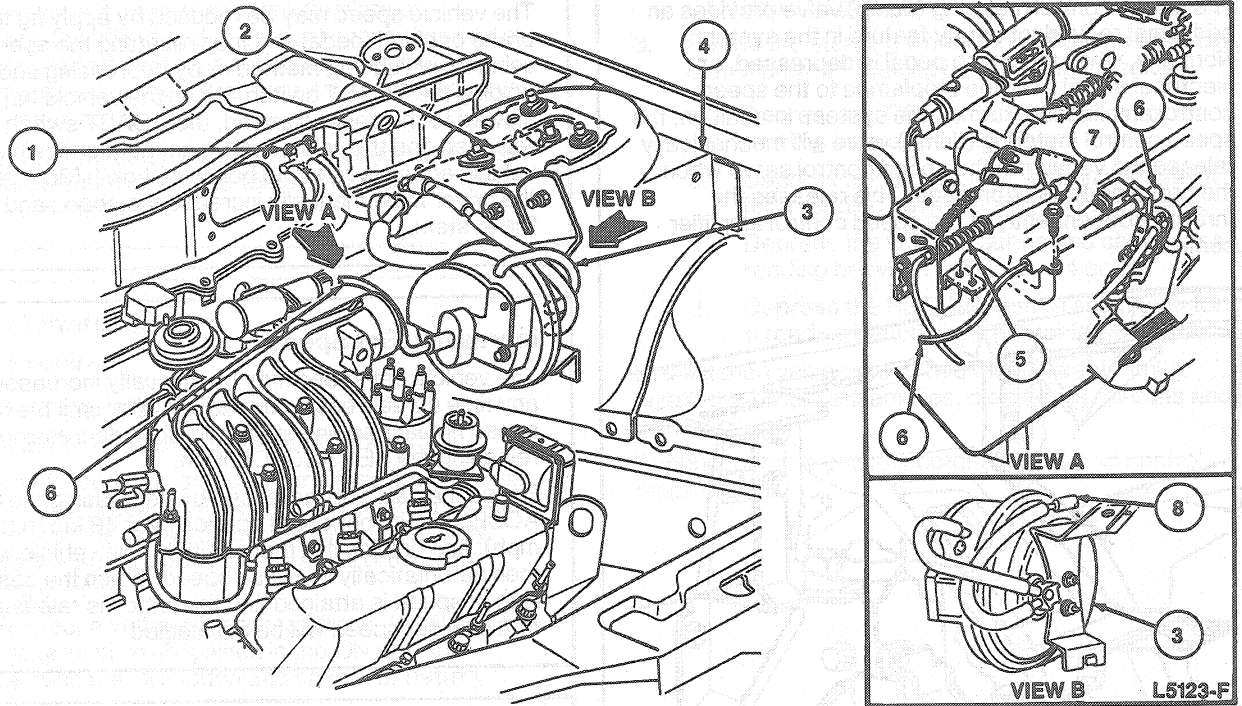


DESCRIPTION (Continued)

3.0L Engine



Item	Part Number	Description
1	—	Vacuum Distribution Block To Vacuum Reservoir
2	—	Speed Control Servo
3	9C735	Driver's Side Shock Tower
4	—	Throttle Cable
5	—	Speed Control Actuator
6	9A825	Screw
7	N611057	To Speed Control Metering (Dump) Valve
8	9C727	