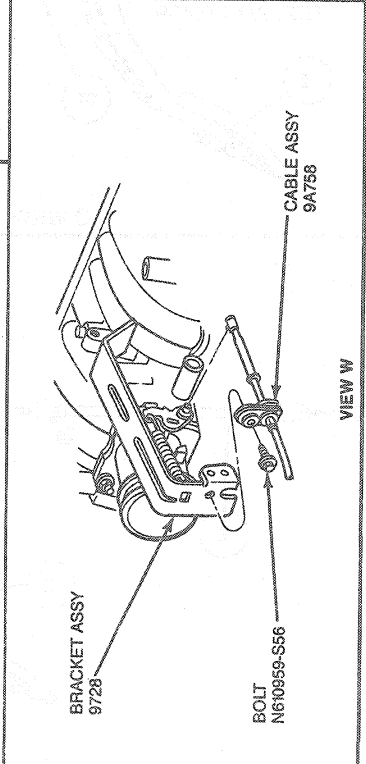
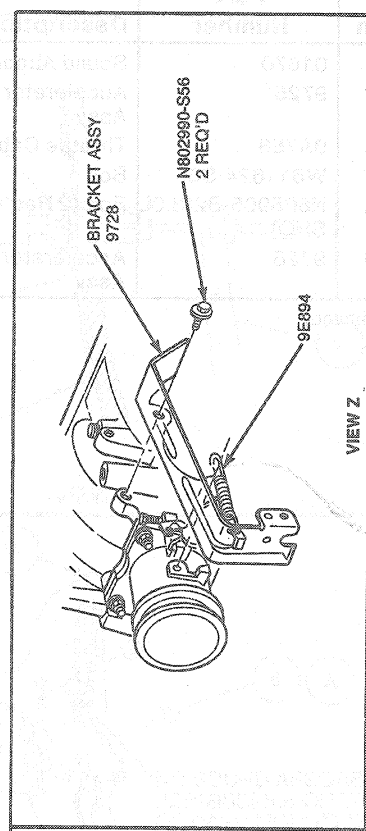
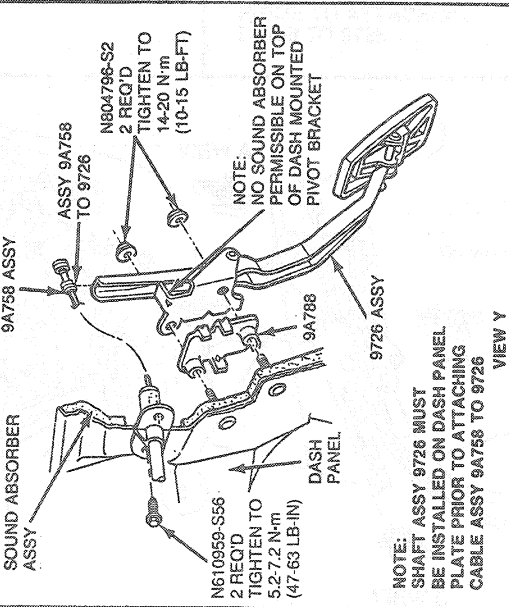
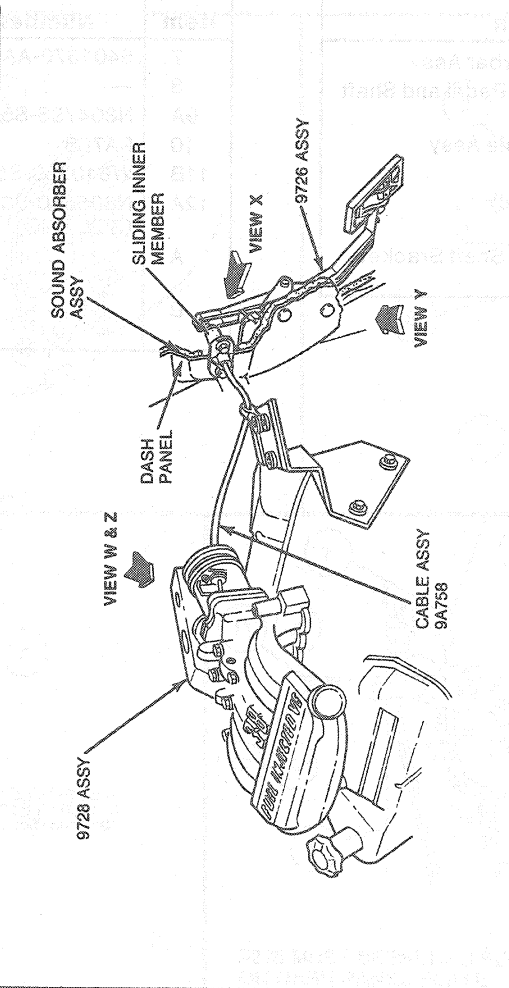
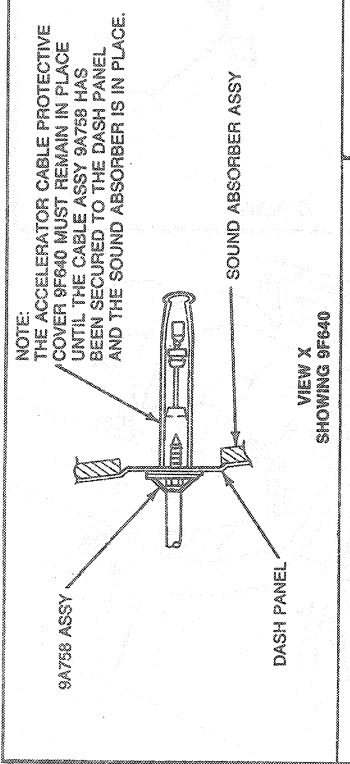
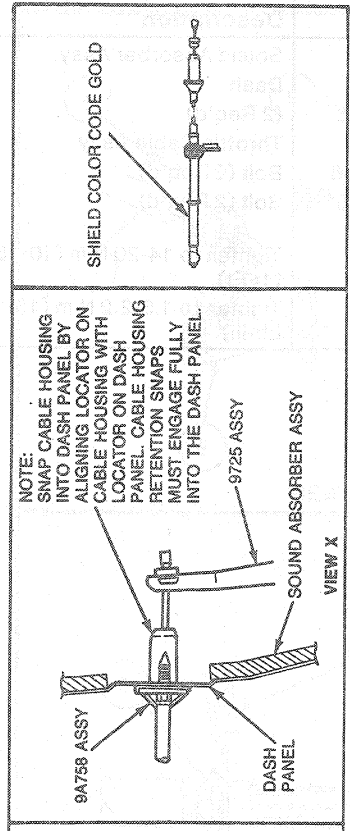


REMOVAL AND INSTALLATION (Continued)

(Copyright ©) KOITA LITZHI CIA JAYONGRA

3.8L Engine, AXODE



V5428-F