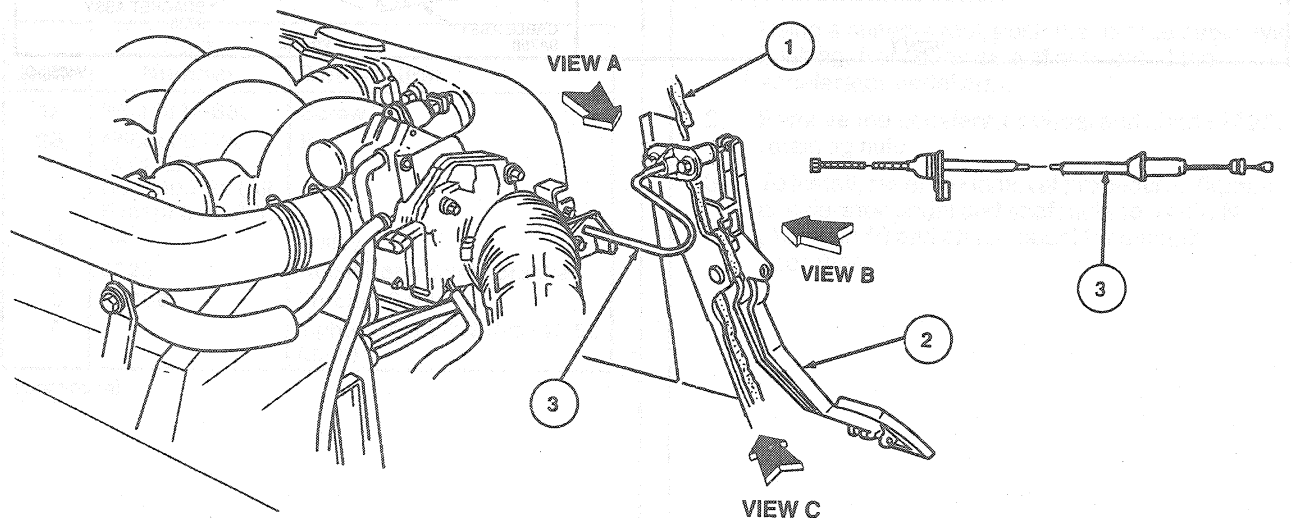
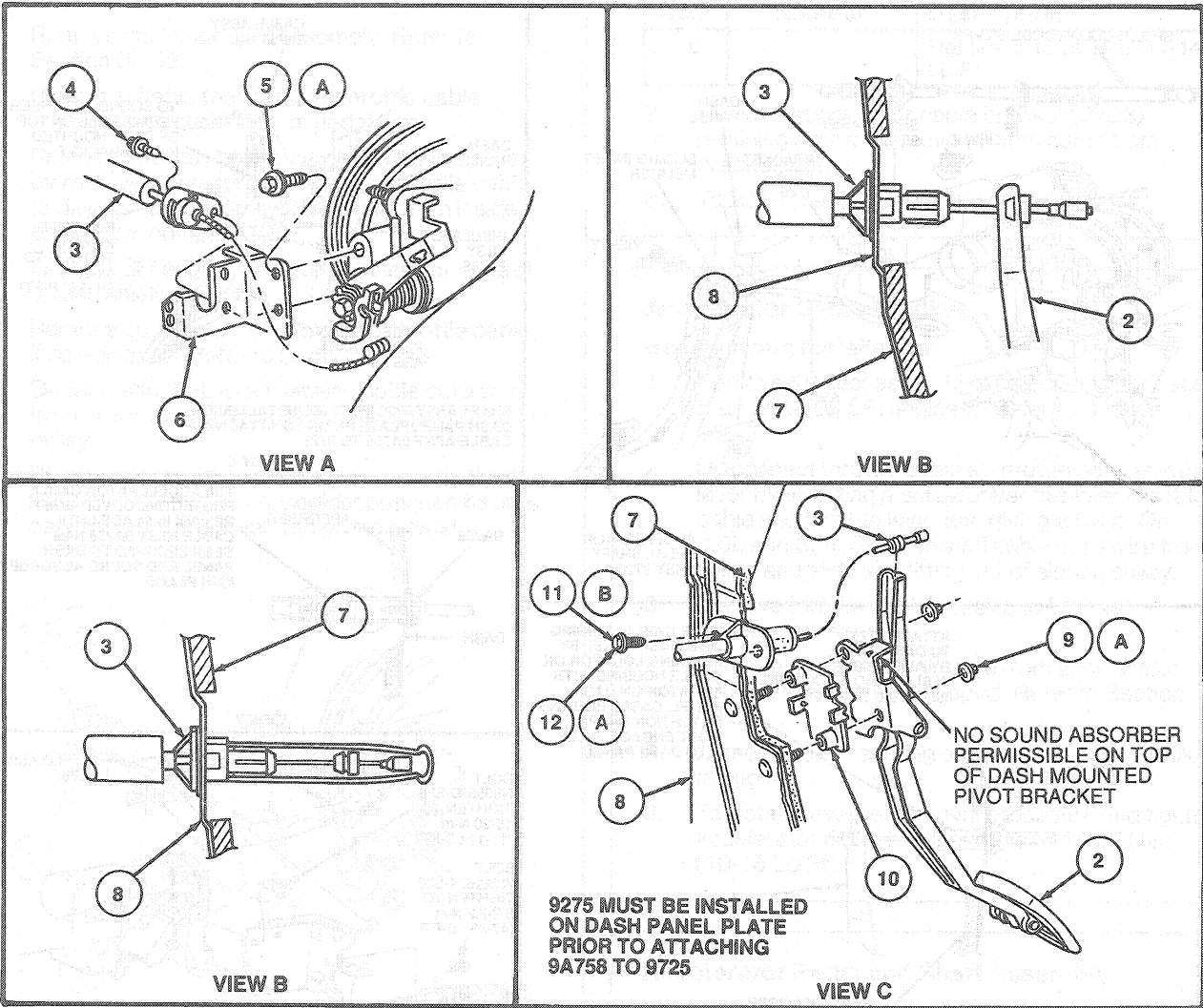


REMOVAL AND INSTALLATION (Continued)

3.0L SHO Engine, MTX III



V7393-D