

SPECIFICATIONS (Continued)

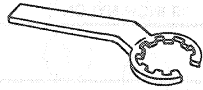
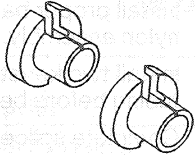
PUSH CONNECT RETAINERS—PART NUMBERS

Part Number	Component
N802241 (Black)	Hair Pin Clip ¹ —3/8 Inch Connector
N802239 (White)	Hair Pin Clip ¹ —5/16 Inch Connector
N802710-S190	Duck Bill Clip ¹ —1/4 Inch
N802441-S	Duck Bill Clip ¹ —1/2 Inch

TORQUE SPECIFICATIONS

Description	N-m	Lb-In
Filler Neck-to-Body Screws	2.7-3.7	24-32
Fuel Filler Clamp	1.7-2.8	15-25
Fuel Filter Bracket Screw	8-12	71-106
Inertia Fuel Shutoff Switch Nuts	1.5-2.2	14-19
Fuel Tank Strap Bolts	29-41	22-30 (Lb-Ft)
Fuel Filler Pipe Hose Clamps	2.7-3.7	24-32
Fuel Filler Neck Bolt	4-6	36-53
Flexible Fuel Mixer / Sensor Assy	5.2-7.2	47-63

SPECIAL SERVICE TOOLS

Tool Number / Description	Illustration
T74P-9275-A Fuel Tank Sender Wrench	 T74P-9275-A
T90T-9550-S Fuel Line Disconnect	 T90T-9550-S

Tool Number	Description
D87L-9280-A	Disconnect Tool 3/8 Inch (Yellow)
D87L-9280-B	Disconnect Tool 1/2 Inch (Green)
D90P-9275-A	Fuel Tank Sender Wrench

ROTUNDA EQUIPMENT

Model	Description
034-00002	Fuel Storage Tanker
034-00012	Adapter Hose
034-00020	Fuel Storage Tanker and Adapter Hose

PARTS CROSS-REFERENCE

Base Part #	Part Name	Old Part Name
9002	Fuel Tank	
9030	Fuel Tank Filler Cap	
9034	Fuel Tank Filler Pipe	
9092	Fuel Tank Support Strap	
9155	Fuel Filter	
9341	Inertia Fuel Shutoff Switch	Fuel Pump Inertia Switch
9417	Fuel Pump Mounting Gasket	
9B593	Fuel Vapor Valve	
9C291	Fuel Tube Shield	
9C385	Fuel Pump Locking Retainer Ring	
9F792	Fuel Injection Supply Manifold	
9H307	Fuel Tank Sending Unit and Pump	
9J279	Fuel and Vapor Return Tube	

1 Replacement Required After Connector Removal