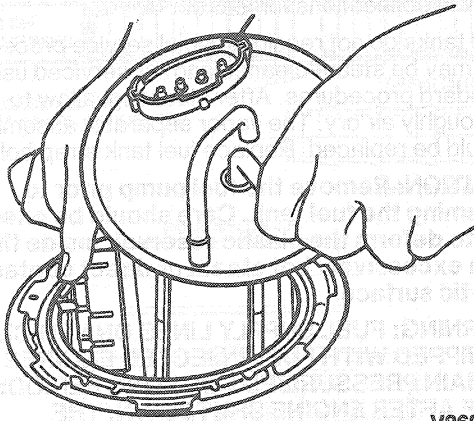


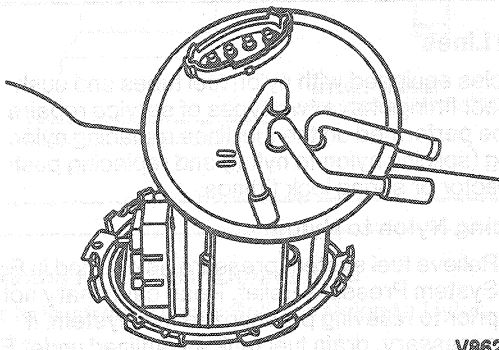
REMOVAL AND INSTALLATION (Continued)

- 8. Lift fuel tank sending unit and pump locating tabs from fuel tank location slots.
- 9. Lift fuel tank sending unit and pump upward rotating left, while aligning float wiper arm retainer and return line into fuel tank location slots.



V8620-A

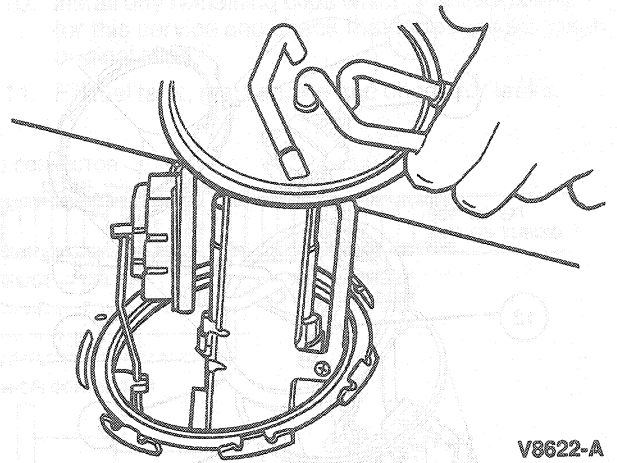
- 10. Apply slight pressure to remove fuel tank sending unit and pump.



V8621-A

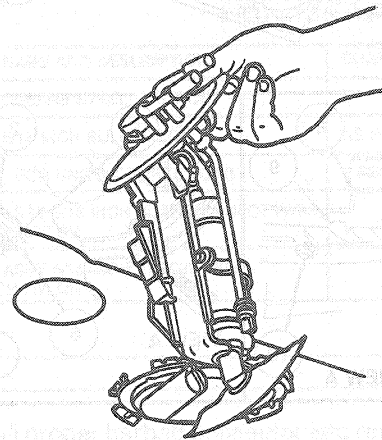
- 11. Lift float wiper arm through LH fuel tank slot and pass pump motor retaining bracket through the RH fuel tank slot.

REMOVAL AND INSTALLATION (Continued)



V8622-A

- 12. Remove fuel tank sending unit and pump keeping return line in fuel tank slot. Lift fuel pump inlet filter then sender arm float through fuel tank opening.



V8623-A

- 13. Remove fuel methanol compatible fuel pump mounting gasket (9417).
- 14. To install, position new fuel methanol compatible fuel tank sending unit and pump gasket and reverse Remove procedure.