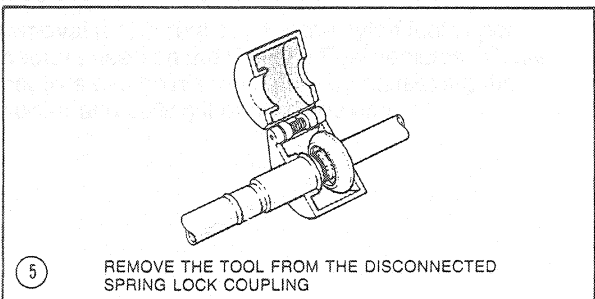
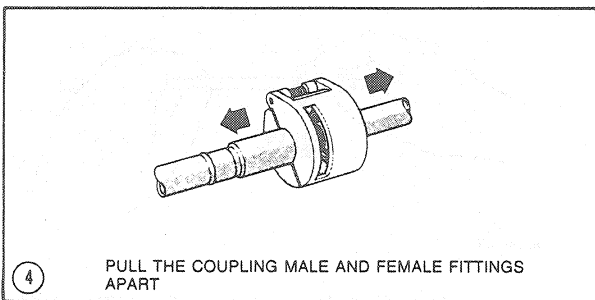
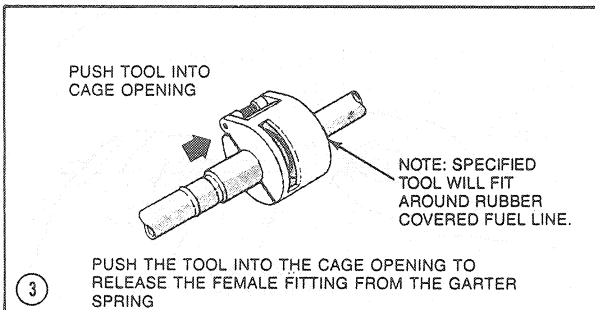
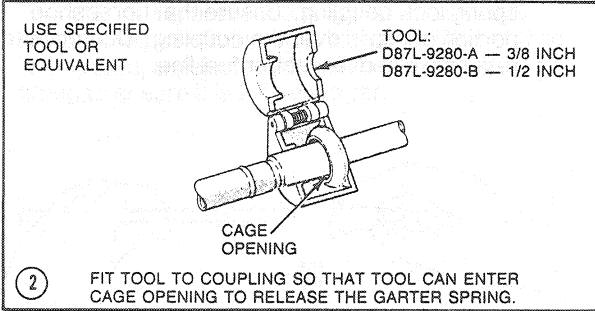
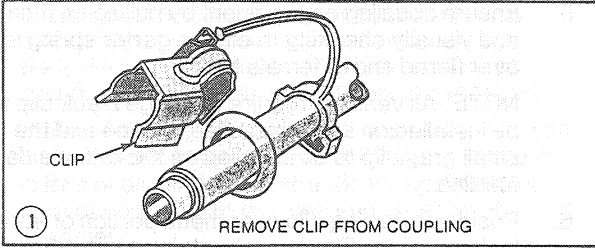


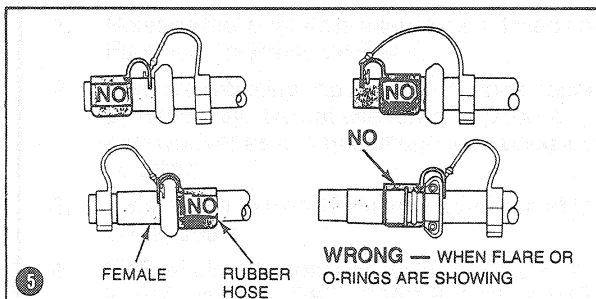
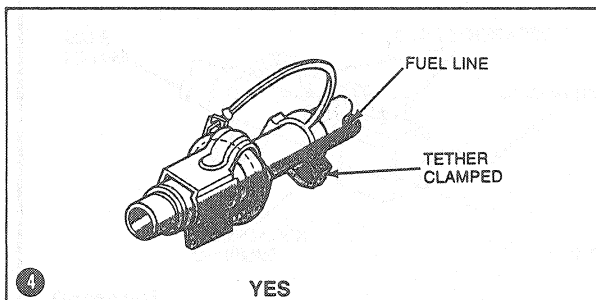
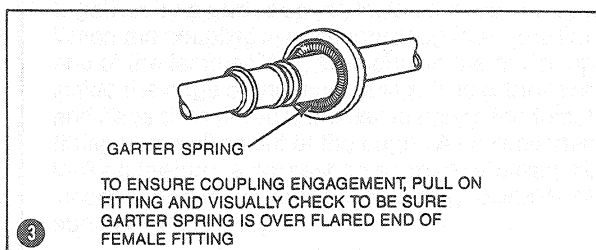
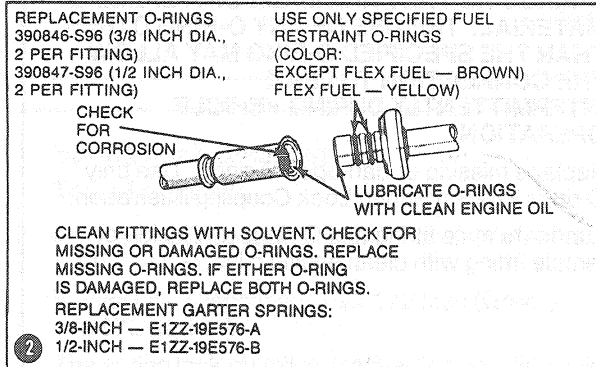
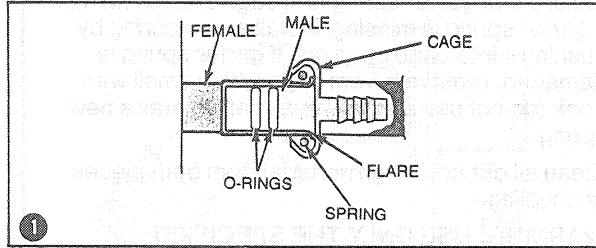
REMOVAL AND INSTALLATION (Continued)

TO DISCONNECT COUPLING

CAUTION — RELIEVE FUEL PRESSURE BEFORE DISCONNECTING COUPLING



TO CONNECT COUPLING



V8616-A