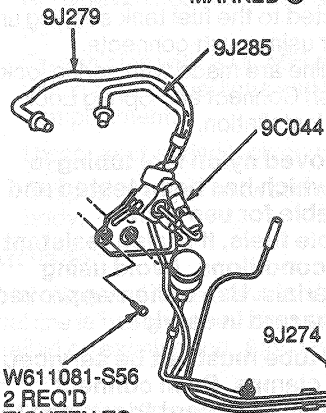
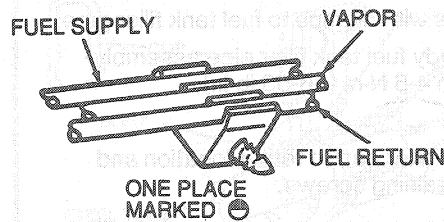
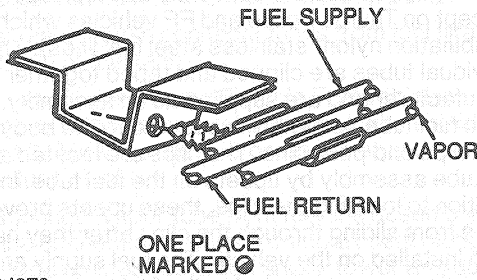
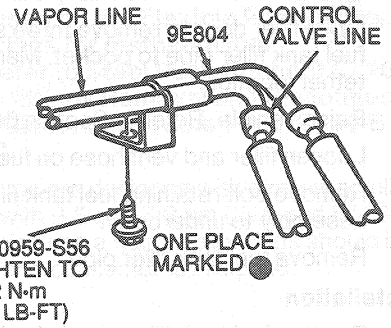
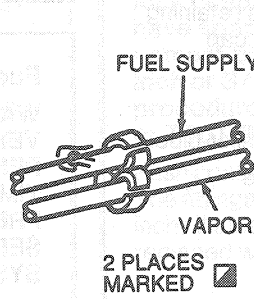
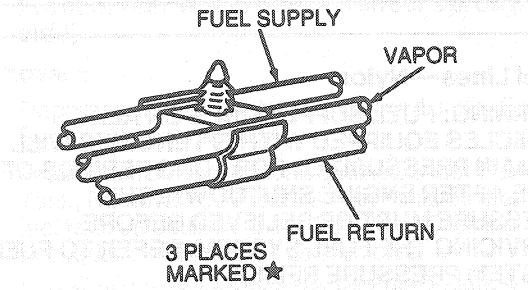
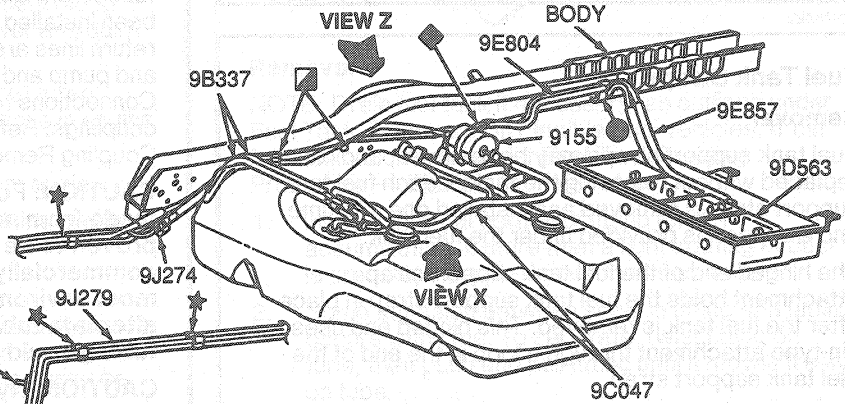


REMOVAL AND INSTALLATION (Continued)

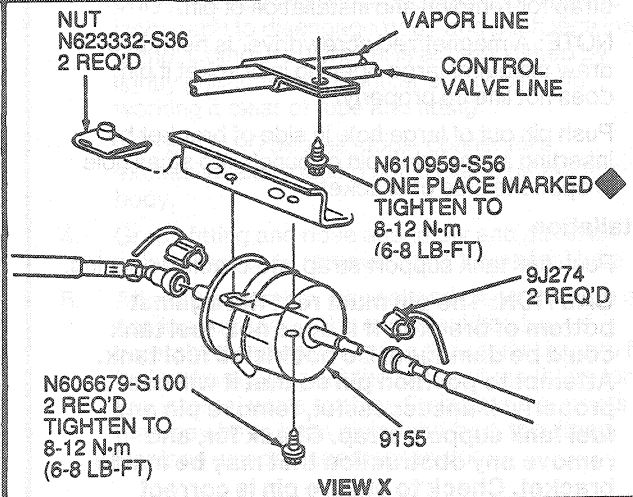
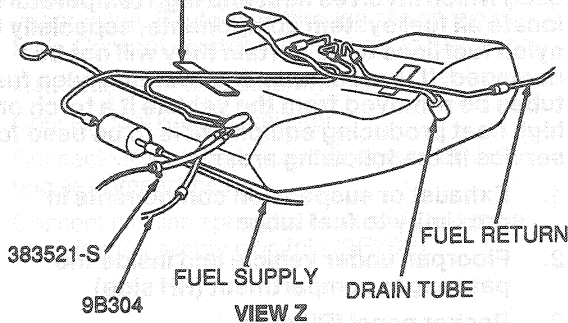
3.0L Flexible Fuel Vehicle



W611081-S56  
2 REQ'D  
TIGHTEN TO 5.2-7.2 N·m (47-63 LB-IN)



ESB-M3658-A  
2 PLACES  
INSTALL AS SHOWN AFTER  
FUEL LINE (9B337) INSTALLATION



V8618-A